

TEAC®

SERVICE MANUAL

CTM6829ST

68cm Colour Television

MODEL: CT-M6829ST , CTM689ST

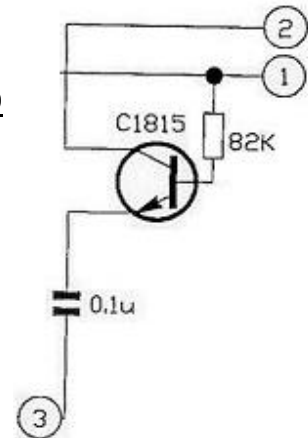
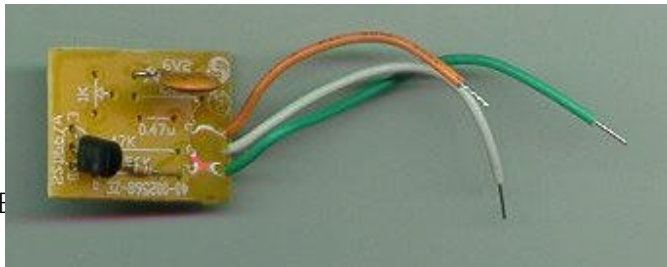
PROBLEM: Sound drops off in AV mode when playing Macrovision based tapes.

The problem only occurs when playing Macrovision protected material via AV input.

The modification will also improve flag-waving related problems.

April 99 production onwards is corrected.

Connect the modification pcb as per directions below. P/N CTM6829MVMOD



Connection:

- ∂ (Green) connects to pin 37 of microprocessor.
- (White) connects to pin 36 of microprocessor.
- ÷ (Orange) connects to pin 26 of microprocessor.

Affix the board to the top of the microprocessor using some double-sided tape.

Fabian Lubanovic
TEAC Australia Pty Ltd.

General Specification of Electrical Properties

1/3

This electrical specification is generally used for our current models in China market. For overseas market, the additional requirement from customers, if any, will be listed in Engineer Memo and forwarded to related departments.

Item	Basic Parameters		Unit	Standard	Condition	
1	Noise-Limited Sensitivity	VHF	μV	≤ 250	75 Ω antenna, S/N= 30dB	
		UHF	μV	≤ 350		
2	Chrominance Sensitivity	RF input	Color	μV	≤ 75	75 Ω antenna
			B/W	μV	≤ 75	
		Burst	%	≤ 30	Standard Video input value	
3	Synchronizing Sensitivity	RF input	μV	≤ 75	75 Ω antenna	
		Sync	%	≤ 20	Standard Video input value	
4	AGC		dB	≥ 60	Picture signal variation = $\pm 1.5\text{dB}$	
5	ACC		dB	$\geq +6$	Signal variation = $\pm 1.5\text{dB}$	
			dB	≤ -6	Signal variation = $\pm 1.5\text{dB}$	
6	AFT Pull-in Range		MHz	$\leq +1; \leq -0.7$		
7	Selectivity	Picture Carrier at Upper Adjacent channel	dB	≥ 35		
		Over the Picture Carrier of Upper adjacent channel	dB	≥ 30		
		Sound Carrier at Lower Adjacent channel	dB	≥ 40		
		Below the Sound Carrier of Lower Adjacent channel	dB	≥ 30		
8	IF Rejection		dB	≥ 45		
9	Image Rejection	VHF	dB	≥ 45		
		UHF	dB	≥ 40		
10	Suppression of Chrome beat Interference		dB	≥ 10		
11	Max. RF input voltage		mV	≥ 100		
12	Linear Waveform Response in Luminance Channel - Field Frequency Square-Wave Response - 2T Pulse Response. - 2T Bar/Pulse Response - Chrominance Sub-carrier response of Luminance channel		%	≤ 5		
			%	≤ 12		
			%	≤ 12		
			%	≤ 5		
13	Linear Wave form Response in Chrominance Channel - Field Frequency Square-Wave Response - 2T Pulse Response. - 2T Bar/Pulse Response		%	≤ 5		
			%	≤ 10		
			%	≤ 10		
14	Distortion of DC components in Luminance Channel		%	≤ 30		
15	Luminance/Chrominance Delay Inequality		nS	$\leq \pm 100 $		
16	Line-time Non-linearity of Luminance signal		%	≤ 5		
17	Line-time Non-linearity of Chrominance signal		%	≤ 10		
18	Error of Chrominance Signal Demodulation Angle (PAL system)	Error of Chrominance Signal Demodulation Angle (PAL system)	$^{\circ}$	$\leq \pm 15 $		
		Delayed Prominence Carrier signal phase Matching	$^{\circ}$	$\leq \pm 15 $		
		Amplitude Matching of Delayed and Direct Chrominance Carrier signal	%	≤ 15		
19	Voltage Distortion between odd and even field.		%	≤ 10		

General Specification of Electrical Properties

2/3

20	Range of Color Saturation		%	150 ~ 200		
21	Frequency Response of Video signal	PAL	MHz	≥3.5		
		NTSC	MHz	≥2.5		
22	Effective Scanning Area	V	%	90 ~ 95	Philips Pattern Generator	
		H	%	90 ~ 95	Philips Pattern Generator	
23	Non-linearity of Raster	V	%	≤8		
		H	%	≤10		
24	Geometrical Distortion		%	≤3		
25	Range of Horizontal Scan	Pull-in	Hz	≥ ±200		
		Hold	Hz	≥ ±400		
26	Range of Vertical Scan		Hz	≥6		
27	Range of Color Synchronization	Pull-in	Hz	≥200		
		Hold	Hz	≥300		
28	Convergence	14"	Center	mm	≤0.4	
			Sides	mm	≤1.1	
			Corners	mm	≤1.6	
		20", 21", 22"	Center	mm	≤0.4	
			Sides	mm	≤1.2	
			Corners	mm	≤1.8	
		25"	Center	mm	≤0.4	
			Sides	mm	≤1.5	
			Corners	mm	≤2.0	
		28", 29"	Center	mm	≤0.4	
			Sides	mm	≤1.7	
			Corners	mm	≤2.2	
29	Max. Brightness on Screen	14"	cd/m ²	≥120(140)	Remark: (): for high transparent tube other: Black tube	
		20"	cd/m ²	≥110(120)		
		21"	cd/m ²	≥110(120)		
		25"	cd/m ²	≥90		
		28"	cd/m ²	≥90		
30	Range of Voltage Variation without affect picture		%	+10 / -20		
31	Stability of Anode Voltage		%	≤5		
32	Power Consumption	14"	W	≤60		
		20"	W	≤70		
		21"	W	≤75		
		22"	W	≤80		
		25"	W	≤110		
		28"	W	≤120		
		29"	W	≤130		
33	Noise-Limited Sensitivity of audio signal	VHF	μV	≤80	75Ω antenna, S/N= 30dB	
		UHF	μV	≤120	75Ω antenna, S/N= 30dB	

General Specification of Electrical Properties

3/3

34	Effective power output for audio signal	14"	W	$\geq 120(140)$	THD = 7%	
		20"	W	$\geq 1.5(+1.5)$		
		21"	W	$\geq (2.0+2.0)$		
		25"	W	$\geq (6+6)$		
		28"	W	$\geq (6+6)$		
		29"	W	$\geq (6+6)$		
35	Frequency Response of Audio Channels	-3dB B/W	Hz	100 ~ 10K	Output = 0.25 (max. effective output) at 1kHz frequency	
		Deviation	dB	≤ 5		
36	Harmonic Distortion of Audio Channels		%	≤ 10	F = 100Hz ~ 8 kHz M = 100% (max. effective output)	
37	Noise Ratio of Audio Channels		dB	≤ -40	1. Sound modulation index = 100% 2. 75Ω antenna, S/N= 30dB 3. Max. Volume Position.	
38	Range of Remote Controlling	Direction	0 °	m	≥ 8.5	Nature Light : 200~400Lx Fluorescent Light: 150~250Lx Point the inverter fluorescent lamp at position same at the remote control to the IR sensor.
			± 30 °	m	≥ 6.5	
			± 30 °	m	≥ 6.5	
			0 ° with Interference	m	≥ 2.5	



ALIGNMENT PROCEDURE

SYSTEM: PAL, SECAM and NTSC (AV)

MODEL: 25" and 29" M2-Toshiba Chassis & Philips Chassis

ISSUE DATE: 30 July, 1998

VER 2.2

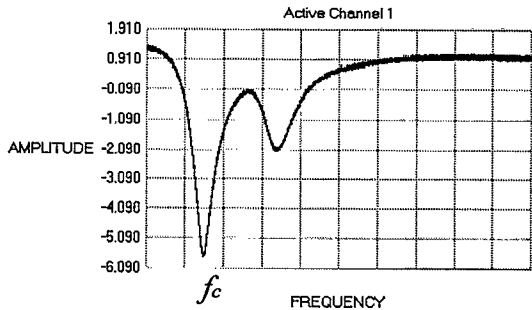
Prepared by: Kwok Chun Wah

1 Power Supply

- 1.1 The voltage of the B+ terminal is $135V \pm 0.2V$ for 25" TV. For 29" TV the voltage of the B+ terminal is $142 \pm 0.2V$.
- 1.2 The voltage at pin 42 of the CPU should be 5V.

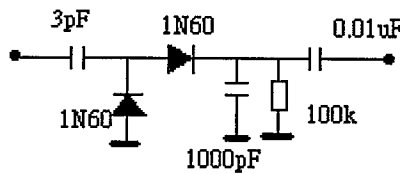
2 I.F. Amplifier

2.1 Adjustment of the attenuation of adjacent channel frequency:
 Apply a sweep signal to the IF input. Observe the waveform at the Collector of Q101, using a detector with 3pF input capacitance. By tuning IF T101, minimize the signal level at f_c , refer to table 2.1. Found the IF frequency, f_p of the tuner in its specification and then according to table 2.1, adjust f_c to the correct value.



f_p / MHz	f_c / MHz
38.9	31.9
38	31.0
39.5	32.5
45.75	40.75

Table 2.1

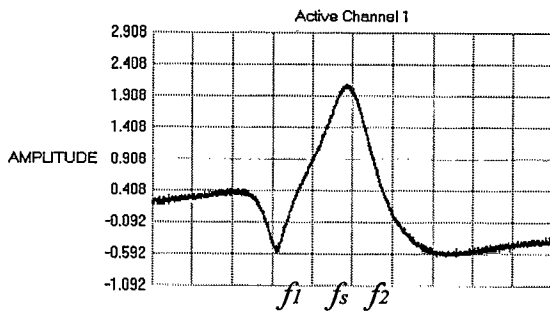


The detector circuit

2.2 Adjustment of sound IF:
 Apply a sweep signal to the IF input. Observe the waveform at pin 8 of IC101, using a detector with 3pF input capacitor (the same as above). By tuning IF T108, adjust the signal level at f_s to maximum value, where f_s can be calculated by the following formula.

$$f_s = f_p - f_a$$

Where f_a is the audio frequency and it can be found in table 2.2



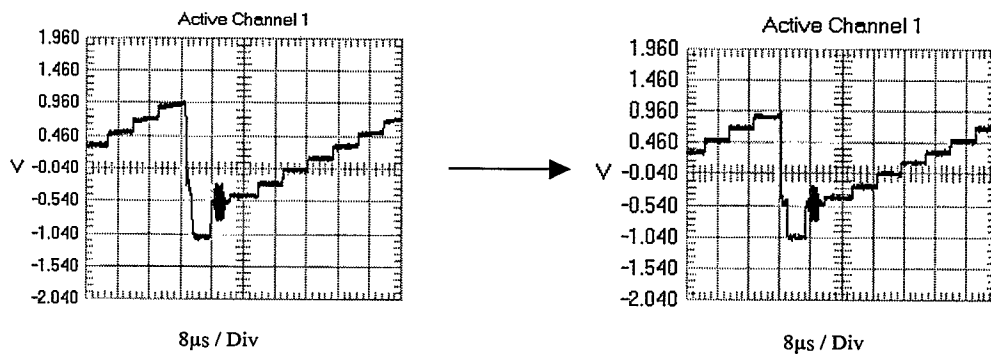
System	f_a /MHz
BG	5.5
DK	6.5
I	6
M	4.5

Table 2.2

Note: if the TV had two or more sound systems, get the average value of f_a
 E.g. B/G+D/K system, $f_a = 6\text{MHz}$

2.3 Adjustment of VCO:

Apply an IF signal (gray scale), f_p refer to the tuner specification, to the IF input. Observe the waveform at pin 21 of IC101. By tuning IF T105, make the black level most smooth.

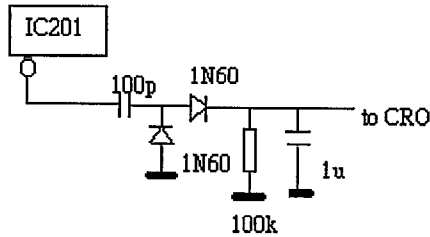


2.4 Adjustment of AFT:

Apply an IF signal, f_p refer to the tuner specification, (multi-burst & white field) to the IF input. Use a CRO to observe the waveform at pin 14 of IC101. Tuning IF T104 to minimize the ripple of the signal.

2.5 Adjustment of first sound IF:

Apply PAL IF signal (gray scale with audio), refer to table 2.5, to the IF input. Connect a detector to pin 24 of IC101. Observe the waveform with CRO. By tuning IF T106, maximize the AC voltage shown on the CRO.



Detector circuit

System	Audio carrier freq. /MHz
B/G	5.5
D/K	6.5
I	6
M	4.5

Table 2.5

Note: This procedure is optional for BG/DK with 38.9MHz IF frequency.

2.6 Adjustment of second sound IF:

Apply PAL IF signal (gray scale with audio), refer to table 2.5, to the IF input. The audio carrier must be modulated by a 1kHz signal with frequency deviation $\pm 30\text{kHz}$. Connect a multimeter and CRO to pin 1 of IC101. By tuning IF T103, adjust the DC voltage shown on the multimeter to $6.3 \pm 0.1\text{V}$ and the CRO must display a maximum signal without distortion.

2.7 Adjustment of SAW filter matching coil (if provided):

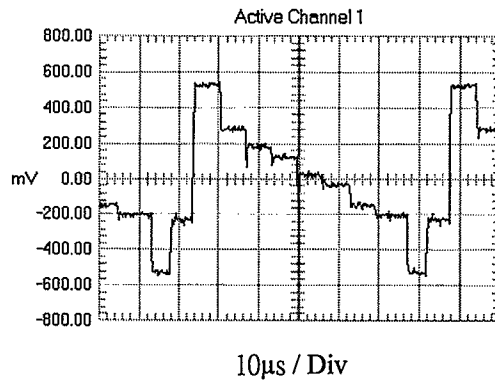
After complete the VCO and AFT alignment, apply an IF signal (multi burst and white field), f_p refer to the tuner specification, to the IF input. Connect a CRO to pin 21 of IC101 and observe the waveform of the output video signal. By tuning IF T102, adjust the amplitude of the multi burst signal so that it is equal to the white field signal.

3 VCD

3.1 PAL alignment procdures

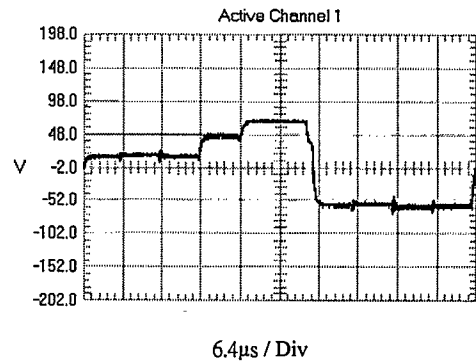
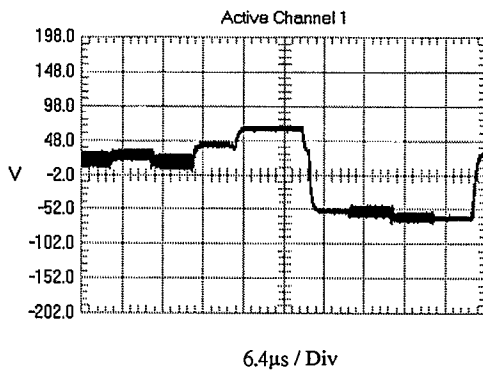
3.1.1 Absorption of color sub-carrier:

Input a PAL color bar signal. Observe the waveform at R206 and minimize the misalignment on the waveform by tuning T206 (minimize the level of color sub-carrier). Then change the channel to NTSC 3.58 and the absorption of the color carrier must be the same as the PAL channel. The waveform at R206 was shown bellow:



3.1.2 Adjustment of color demodulation:

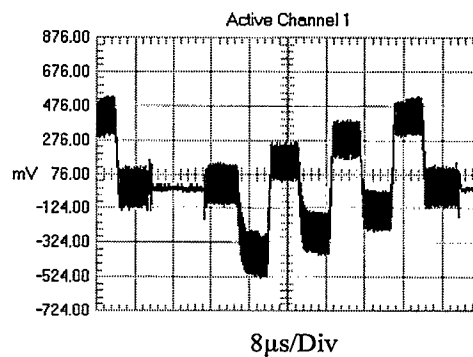
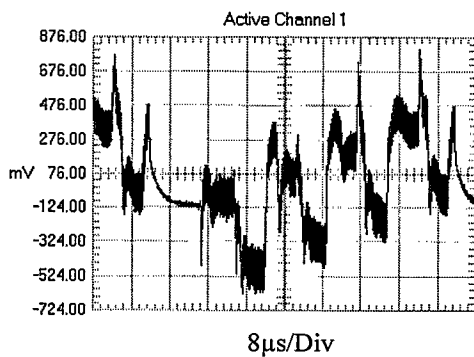
Select the PAL color bar, all analogue setting must be set to medium. Use a CRO to observe the waveform of the 'green cathode' terminal on the CRT board. By tuning VR203 and T203, minimize the mis-alignment of the waveform.



3.2 Secam alignment procedures

3.2.1 Bell filter

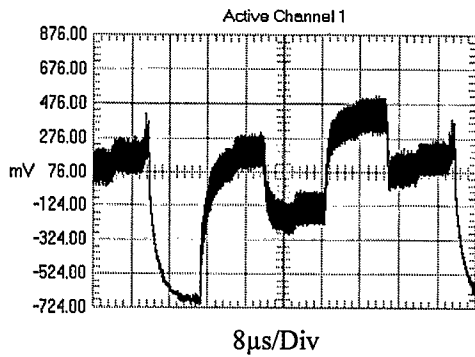
Select the SECAM color bar signal. Observe the waveform at pin 64 of IC201. Tuning IF T204 and get the correct waveform.



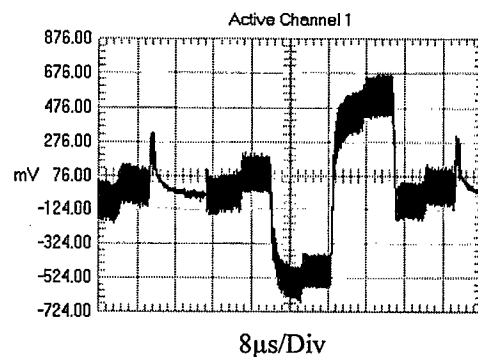
3.2.2 De-emphasis alignment

Receive the SECAM color pattern and observe the waveform at the pin 2 of IC201.

Adjust T202 to get the correct waveform.



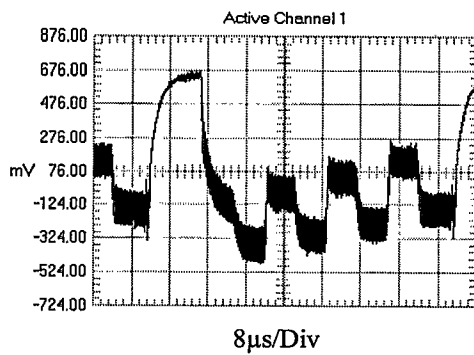
Waveform at IC201 pin2



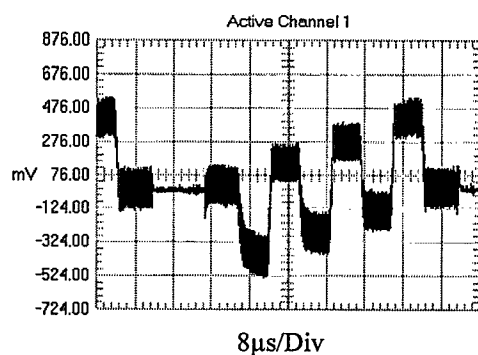
Waveform at IC201 pin2

Receive the SECAM color pattern and observe the waveform at the pin 64 of IC201.

Adjust T201 to get the correct waveform.



Waveform at IC201 pin64



Waveform at IC201 pin64

3.2.3 Ident signal adjustment

Apply SECAM color bar signal to the IF input, the amplitude of the signal is about 40dBµV. Then measure the DC voltage at pin 23 of IC 201. By adjust IF T205, maximize the DC voltage.

4 Adjustment of RF-AGC

Select the gray scale signal with amplitude about 60dB μ V. Adjust VR101 until the noise at the left of the screen disappears.

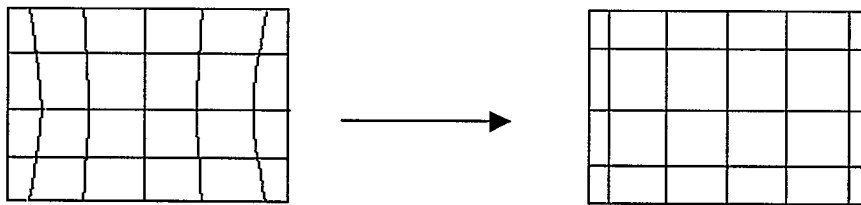
5 On Screen Display Position Alignment

Select PAL standard testing signal. Press the 'Function' button on the remote control and the screen will display the OSD menu. Adjust the OSD menu to the center position by tuning T001.

Note: this procedure is not necessary for Philips chassis.

6 Pincushion Distortion

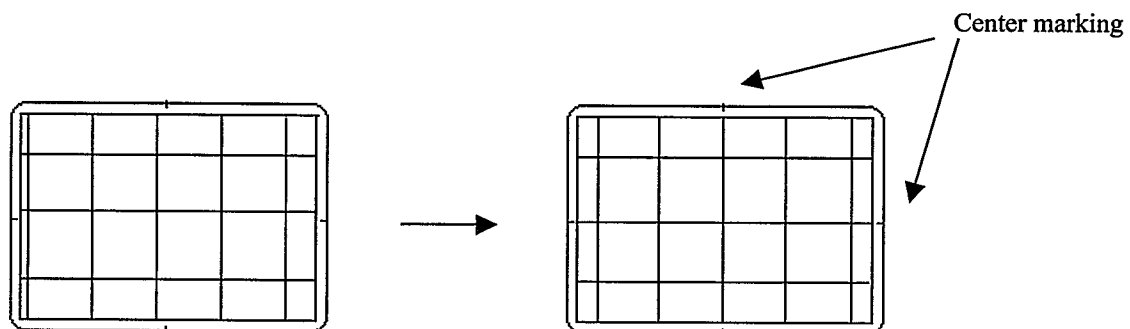
Receive a crosshatch pattern. The image at the left and right of the screen may have some distortion. By adjust VR1406, make the vertical lines become a straight line.



7 Screen Alignment

7.1 Center alignment:

Receive a center cross with border castellations pattern. Place the centerline (both vertical and horizontal) to the center marking of the CRT. The center of the screen can be adjusted by tuning VR315 (vertical) and VR401 (horizontal).



7.2 Screen size adjustment:

Receive a center cross with border castellations pattern. Adjust the screen size until the border was just disappearing on the screen. The screen size can be adjusted by tuning VR202 (60Hz vertical size), VR204 (50Hz vertical size) and VR1405 (horizontal size). The screen size is 90%-95% of the CRT size.

8 Focus alignment

Receive a center cross with border castellation pattern. Then adjust the 'focus' switch on the flyback transformer until the picture become the clearest.

9 Cut-off alignment

Set the value of VR555 (GDRV), VR557 (RCUT) and VR556 (BDRV) to middle and set VR558 (GCUT) and VR559 (BCUT) to fully clockwise. Then turn the switch S201 to the service side and a line appear on the screen. Adjust the 'screen' switch on the flyback transformer to set the intensity of the line to a minimum level (a level where the line is just appears). Then adjust VR557 until the line become a red line. By adjusting VR558 and VR559, change the red line to a white line.

10 White Balance

- a. Receive a black and white pattern.
- b. Use a CRT color analyzer to measure the black side of the screen. By adjusting VR558 and VR559, set the reading of the color analyzer to $x=281$, $y=311$.
- c. Then measure the white side of the screen. By adjusting VR555 and VR556, set the reading of the color analyzer to $x=281$, $y=311$.
- d. Then repeat step 'a' and 'b' until you can get the correct reading for both black and white sides.

11 Sub-brightness Alignment

Receive a gray scale pattern, set the contrast, brightness and color to center. Then adjust VR206 so that the brightness of the first and second step have a little difference.

MODEL NO.: CT-M6829 Chassis type EC2988
BOM NO.: 03-2988MD-AA10
SYSTEM: PAL BG NTSC PLAYBACK AV IN / OUT CABLE TUNER 50P

Parts	Description	Qty	Location	Comments
08-275151-MAY	ASS'Y - MAIN BD (2988MD)			
10-0FR104-EB1	DIODE FR104 (FAST RECOVERY)	3	D401, D407A, D421	
10-0RS3FS-E01	DIODE RS3FS (FAST RECOVERY)	1	D422	
10-1N4001-EB1	DIODE 1N4001 (RECTIFIER)	1	D301	
			D006, D007, D008, D01, D010, D011, D012, D013, D014, D02, D03, D04, D201, D206, D316,	
10-1N4148-AB1	DIODE 1N4148 (SWITCHING)	17	D601, D602	
10-79B5V6-DB1	DIODE ZENER 5.6V 1/2W 2%	1	D210	
10-79C12V-DB1	DIODE ZENER 12V 1/2W 5%	1	D407	
10-79C20V-DB1	DIODE ZENER 20V 1/2W 5%	1	D432	
10-79C5V1-DB1	DIODE ZENER 5.1V 1/2W 5%	1	D834A	
10-79C5V6-DB1	DIODE ZENER 5.6V 1/2W 5%	1	D901	
10-79C6V2-DB1	DIODE ZENER 6.2V 1/2W 5%	1	D211	
10-79C7V5-DB1	DIODE ZENER 7.5V 1/2W 5%	1	D208	
10-HZ9LA3-DB1	DIODE ZENER 8.1V-8.5V 1/2W	1	D433	
11-0BC558-0B1	TRANSISTOR BC558	2	Q210, Q211	
11-2N3904-0B1	TRANSISTOR 2N3904	1	Q007	
11-SA1015-YB1	TRANSISTOR 2SA1015Y	4	Q203, Q204, Q811A, Q903	
11-SC2230-YB1	TRANSISTOR 2SC2230Y	1	Q810A	
11-SC4544-0A1	TRANSISTOR 2SC4544	1	Q411	
			Q01, Q205, Q206, Q208, Q212,	
11-TC144E-SB1	TRANSISTOR DTC144ES (TP)	7	Q213, Q604	
13-000040-53P	IC 4053 (ANALOG SW)	1	IC901	
13-00LA78-33S	IC LA7833	1	IC301	
13-0TA763-0PP	IC TA7630P (DC VOL.CONT.)	1	IC602	
13-P47C83-4AP	IC TMP47C834N-LK-5140M2A(RB11)	1	IC001	
13-TA8759-BNP	IC TA8759BN	1	IC201	
13-TDA200-9AS	IC TDA2009A (AUDIO O/P)	1	IC601	
25-BBB101-M11	CAP. ELEC 100 UF 10V +/-20%	1	C801A	
25-BCA102-M11	CAP. ELEC 1000 UF 16V +/-20%	2	C147, C621	
			C01, C147A, C149, C152, C154, C208, C216, C251, C619, C903, C904, C905, C910, C920, C921,	
25-BCB100-M11	CAP. ELEC 10 UF 16V +/-20%	16	C922	
25-BCB101-M11	CAP. ELEC 100 UF 16V +/-20%	1	C231	
			C028, C207, C222, C245, C275,	
25-BCB220-M11	CAP. ELEC 22 UF 16V +/-20%	6	C907	
25-BCB221-M11	CAP. ELEC 220 UF 16V +/-20%	3	C204, C606, C607	
25-BDA471-M11	CAP. ELEC 470 UF 25V +/-20%	2	C627, C628	
25-BEA102-M11	CAP. ELEC 1000 UF 35V +/-20%	2	C405, C601	
25-BEA221-M11	CAP. ELEC 220 UF 35V +/-20%	1	C303	
25-BEG332-M11	CAP. ELEC 3300 UF 35V +/-20%	1	C311	
25-BFB339-M11	CAP. ELEC 3.3 UF 50V +/-20%	1	C234	
25-BJA479-M11	CAP. ELEC 4.7 UF 160V +/-20%	1	C442	
25-BKG101-M11	CAP. ELEC 100 UF 200V +/-20%	1	C426	
25-BLA100-M11	CAP. ELEC 10 UF 250V +/-20%	1	C402	
25-DFB229-M11	CAP. ELEC 2.2 UF 50V +/-20% BP	3	C265, C604, C605	
27-MBC184-J01	CAP. M. P.E. 0.18 UF 50V +/-5%	2	C608, C611	
27-MBC393-J01	CAP. M. P.E. 0.039UF 50V +/-5%	1	C313	
27-PBC102-J01	CAP. P.E. 0.001 UF 50V +/-5%	2	C691, C692	
27-PBC103-J01	CAP. P.E. 0.01 UF 50V +/-5%	1	C264	
			C007, C202, C205, C221, C224,	
27-PBC104-J01	CAP. P.E. 0.1 UF 50V +/-5%	6	C225	
27-PBC223-J01	CAP. P.E. 0.022 UF 50V +/-5%	2	C232, C233	
27-PBC272-J01	CAP. P.E. 0.0027 UF 50V +/-5%	3	C238, C609, C612	
27-PBC273-J01	CAP. P.E. 0.027 UF 50V +/-5%	2	C261, C262	
27-PBC333-J01	CAP. P.E. 0.033 UF 50V +/-5%	1	C308	
27-PBC472-J01	CAP. P.E. 0.0047 UF 50V +/-5%	1	C441	
27-PBC473-J01	CAP. P.E. 0.047 UF 50V +/-5%	1	C153	
27-PBC562-J01	CAP. P.E. 0.0056 UF 50V +/-5%	1	C448	
27-PBC563-J01	CAP. P.E. 0.056 UF 50V +/-5%	2	C267, C320	
27-PBC683-J01	CAP. P.E. 0.068 UF 50V +/-5%	1	C235	
27-RHQ223-J01	CAP. PP 0.022 UF 400V +/-5%	1	C423	
27-RHQ563-J01	CAP. PP 0.056 UF 400V +/-5%	1	C403	
38-138270-000	COIL DEMODULATION (TY-6045)	1	T206	
38-215980-000	COIL I.F.T. TRF1092	1	T205	
38-215990-000	COIL I.F.T. TRF1093	1	T204	
38-243750-000	COIL KM831R2C	3	T001, T201, T202	

MODEL NO.: CT-M6829 Chassis type EC2988
BOM NO.: 03-2988MD-AA10
SYSTEM: PAL BG NTSC PLAYBACK AV IN / OUT CABLE TUNER 50P

Parts	Description	Qty	Location	Comments
			J001, J006, J007, J020, J022, J027, J028, J029, J213, J235,	
41-WJ0075-B00	WIRE BARE JUMPER 7.5MM	12	J906, J909	
41-WJ0175-B00	WIRE BARE JUMPER 17.5MM	9	J015, J033, J046, J063, J214, J216, J238, J401, J603 J115, J404, J406, J407, J408,	
41-WJ0200-B00	WIRE BARE JUMPER 20MM	6	J411	
45-200540-200	CER. RESONATOR CSA-400MG	1	X001	
54-128700-0X0	FIBRE WASHER 3.3 X 10 X 0.8	2	MTG M.BD & FBT	
62-227680-0UA	HOLDER CABLE FOR FBT	1		
67-227290-0B0	SHIELD CAN	2	FOR T201,T202	
67-H26471-0A0	HEAT SINK HOR. OUTPUT	1		
67-268550-0A0	HEAT SINK VERT	1	FOR IC301	
71-270870-0A9	LABEL	2		
90-269080-000	CLEAN COATING	0		
18-CB0101-JNX	RES. C.F. 100 OHM 1/6W +/-5%	3	R045, R901, R903 J260, R210, R321, R324, R604, R606, R834A, R904, R910, R921,	
18-CB0102-JNX	RES. C.F. 1K OHM 1/6W +/-5%	11	R922	
18-CB0102-JNX	RES. C.F. 1K OHM 1/6W +/-5%	5	R043, R209, R215, R220, R280 R036, R248, R249, R403, R404, R613, R614, R615, R616, R618,	
18-CB0103-JNX	RES. C.F. 10K OHM 1/6W +/-5%	12	R620, R836A R007, R034, R044, R049, R050, R051, R056, R064, R165, R279,	
18-CB0103-JNX	RES. C.F. 10K OHM 1/6W +/-5%	12	R290, R293 R001, R003, R054, R055, R260,	
18-CB0103-JNX	RES. C.F. 10K OHM 1/6W +/-5%	6	R295	
18-CB0109-JNX	RES. C.F. 1 OHM 1/6W +/-5%	2	R602, R603	
18-CB0121-JNX	RES. C.F. 120 OHM 1/6W +/-5%	1	R228	
18-CB0151-JNX	RES. C.F. 150 OHM 1/6W +/-5%	2	R233, R234	
18-CB0152-JNX	RES. C.F. 1.5K OHM 1/6W +/-5%	4	R023, R231, R272, R273	
18-CB0153-JNX	RES. C.F. 15K OHM 1/6W +/-5%	5	R018, R021, R030, R035, R499	
18-CB0155-JNX	RES. C.F. 1.5M OHM 1/6W +/-5%	1	R270	
18-CB0181-JNX	RES. C.F. 180 OHM 1/6W +/-5%	1	R218	
18-CB0182-JNX	RES. C.F. 1.8K OHM 1/6W +/-5%	4	R205, R206, R217, R292	
18-CB0183-JNX	RES. C.F. 18K OHM 1/6W +/-5%	1	R028	
18-CB0184-JNX	RES. C.F. 180K OHM 1/6W +/-5%	1	R254	
18-CB0220-JNX	RES. C.F. 22 OHM 1/6W +/-5%	3	R14, R15, R16	
18-CB0221-JNX	RES. C.F. 220 OHM 1/6W +/-5%	3	R005, R262, R447	
18-CB0202-JNX	RES. C.F. 2K OHM 1/6W +/-5%	1	R252	
18-CB0222-JNX	RES. C.F. 2.2K OHM 1/6W +/-5%	5	R212, R213, R911, R924, R925	
18-CB0242-JNX	RES. C.F. 2.4K OHM 1/6W +/-5%	1	R410	
18-CB0272-JNX	RES. C.F. 2.7K OHM 1/6W +/-5%	1	R255	
18-CB0330-JNX	RES. C.F. 33 OHM 1/6W +/-5%	2	R605, R607	
18-CB0302-JNX	RES. C.F. 3K OHM 1/6W +/-5%	1	R240	
18-CB0362-JNX	RES. C.F. 3.6K OHM 1/6W +/-5%	1	R040	
18-CB0391-JNX	RES. C.F. 390 OHM 1/6W +/-5%	1	R251	
18-CB0470-JNX	RES. C.F. 47 OHM 1/6W +/-5%	2	R066, R068	
18-CB0471-JNX	RES. C.F. 470 OHM 1/6W +/-5%	2	R048, R265	
18-CB0472-JNX	RES. C.F. 4.7K OHM 1/6W +/-5%	4	R022, R216, R242, R409	
18-CB0475-JNX	RES. C.F. 4.7M OHM 1/6W +/-5%	1	R271	
18-CB0511-JNX	RES. C.F. 510 OHM 1/6W +/-5%	2	R230, R276	
18-CB0562-JNX	RES. C.F. 5.6K OHM 1/6W +/-5%	5	R025, R026, R291, R611, R612	
18-CB0683-JNX	RES. C.F. 68K OHM 1/6W +/-5%	4	R057, R058, R060, R274	
18-CB0750-JNX	RES. C.F. 75 OHM 1/6W +/-5%	1	R920	
18-CB0820-JNX	RES. C.F. 82 OHM 1/6W +/-5%	1	R914	
18-CB0821-JNX	RES. C.F. 820 OHM 1/6W +/-5%	2	R214, R264	
18-CB0822-JNX	RES. C.F. 8.2K OHM 1/6W +/-5%	3	R202, R204, R238	
18-CB0823-JNX	RES. C.F. 82K OHM 1/6W +/-5%	1	R125	
18-CD0221-JNX	RES. C.F. 220 OHM 1/4W +/-5%	1	R833A	
18-CD0222-JNX	RES. C.F. 2.2K OHM 1/4W +/-5%	1	R017	
18-FF0103-JGX	RES. M.O. 10K OHM 1W +/-5%	1	R407A	
18-FF0221-JGX	RES. M.O. 220 OHM 1W +/-5%	1	R309	
18-FF0242-JGX	RES. M.O. 2.4K OHM 1W +/-5%	1	R448	
18-EG0109-JH1	RES. FUS 1 OHM 2W +/-5%	1	R406	
26-ABA509-CZX	CAP. CER 5 PF 50V +/-0.25 SL	1	C213	
26-EBP100-JC1	CAP. CER 10 PF 50V +/-5% CH	2	C256, C260	
26-EBP101-JC1	CAP. CER 100 PF 50V +/-5% CH	4	C011, C014, C015, C016	
26-EBP102-KB1	CAP. CER 1000PF 50V 10% B TUBU	5	C125, C304, C306, C421, C5	

MODEL NO.: CT-M6829 Chassis type EC2988
 BOM NO.: 03-2988MD-AA10
 SYSTEM: PAL BG NTSC PLAYBACK AV IN / OUT CABLE TUNER 50P

Parts	Description	Qty	Location	Comments
			C019, C026, C203, C239, C255, C323, C614, C616, C617, C646, C840A, C902	
26-EBP103-ZF1	CAP. CER 0.01UF 50V +80-20% F	12		
26-EBP103-ZF1	CAP. CER 0.01UF 50V +80-20% F	10	C005, C206, C214, C223, C230, C244, C248, C250, C253, C263	
26-EBP120-JC1	CAP. CER 12 PF 50V +/-5% CH	1	C211	
26-EBP150-JC1	CAP. CER 15 PF 50V +/-5% CH	1	C270	
26-EBP181-JC1	CAP. CER 180 PF 50V +/-5% CH	2	C201, C241	
26-EBP220-JC1	CAP. CER 22 PF 50V +/-5% CH	1	C258	
26-EBP220-JZ1	CAP. CER 22 PF 50V 5% SL TUBU	4	C047, C219, C257, C268	
26-EBP221-JC1	CAP. CER 220 PF 50V +/-5% CH	1	C010	
26-EBP221-JC1	CAP. CER 220 PF 50V +/-5% CH	4	C013, C017, C240, C242	
26-EBP241-JC1	CAP. CER 240 PF 50V +/-5% CH	1	C236	
26-EBP300-JZ1	CAP. CER 30 PF 50V 5% SL TUBU	2	C023, C024	
26-EBP330-JC1	CAP. CER 33 PF 50V +/-5% CH	1	C271	
26-EBP330-JZ1	CAP. CER 33 PF 50V 5% SL TUBU	1	C266	
26-EBP470-JC1	CAP. CER 47 PF 50V +/-5% CH	1	C215	
26-EBP829-JC1	CAP. CER 8.2PF 50V +/-5% CH	2	C243, C247	
26-AIC221-KBX	CAP. CER 220 PF 500V +/-10% B	2	C401, C404	
26-AIC332-KBX	CAP. CER 3300 PF 500V +/-10% B	1	C443	
26-AIC391-KBX	CAP. CER 390 PF 500V +/-10%	1	C444	
34-A608K6-1BX	COIL CHOKE 0.6 UH +/-10%	1	L422	
34-R100J2-0EX	COIL PL - 10 UH +/-5%	2	L001, L002	
34-R109J2-0EX	COIL PL - 1 UH +/-5%	1	L421	
34-R120J2-0EX	COIL PL - 12 UH +/-5%	1	L203	
34-R300J2-0EX	COIL PL - 30 UH +/-5%	2	L204, L207	
35-139730-00X	FERR. BEAD BF60	2	L411, L412	FOR D403
45-107190-100	CRYSTAL 4.43 MHZ	1	X205	
45-117410-100	CRYSTAL 3.5795 MHZ	1	X204	
46-10960W-047	PIN BASE *4 TJC3-4A	1	P401	FOR 200V & HEATER FOR 46-11308H- 037(PWR BD)
46-12210W-037	PIN BASE *3 TJC3-3A	1	P002	FOR R.G.B. OUT FOR 46-24671H- 127(TERM.BD)
46-13541W-057	PIN BASE *5 TJC3-5A	1	P201	
46-24672W-127	PIN BASE *12 TJC3-12A	1	P901	
62-10654X-00F	UNI - TIE 2.5X95MM	17		
63-B3010X-BT4	S/T SCREW B 3 X 10 BT	2	MTG M.BD & FBT	
63-B3508X-0B4	S/T SCREW B 3.5 X 8 B HARD	2	MTG HEAT SINK IC301 & M.BD	
63-B4020X-AB2	S/T SCREW B 4 X 20 AB	1	MTG FBT & HEAT SINK	
63-P3008X-0B3	S/T SCREW P 3 X 8 B (BLACK)	1	FOR BRACKET 'D'	
63-P3508X-0B4	S/T SCREW P 3.5 X 8 B	7	MTG PCB & BKT	MTG H.SINK - AUDIO AMP
64-B3008X-102	M/C SCREW B 3 X 8	1	FOR IC601	
64-P3010X-104	M/C SCREW P 3 X 10	1	FOR IC301	
64-P3510X-102	M/C SCREW P 3.5 X 10	1	FOR Q421	
65-E3305X-07E	SPRING WASHER 3.3 X 5.0 X 0.7	1	FOR IC301	
65-Z3005X-23M	NUT M 3	2	FOR IC301	FOR IC601
65-Z3506X-26E	NUT M 3.5	1	FOR Q421	
70-271510-00A	SERVICE CARD	1	FOR PRODUCTION	
90-209770-000	SILICONE GREASE G-746	0	FOR IC601 & Q421	
18-CB0271-JNX	RES. C.F. 270 OHM 1/6W +/-5%	3	R221, R222, R223	
26-EBP820-JC1	CAP. CER 82 PF 50V +/-5% CH	3	C226, C227, C228	
10-0FR105-EB1	DIODE FR105 (FAST RECOVERY)	1	D403	
10-79C9V1-DB1	DIODE ZENER 9.1V 1/2W 5%	1	D217	
11-SD2539-0A1	TRANSISTOR 2SD2539	1	Q421	
13-0DBL20-44S	IC DBL2044(BAND SELECT)	1	IC103	
25-BFB109-K1A	CAP. ELEC 1 UF 50V 10% CEC-K	1	C272	
25-BFB109-K1A	CAP. ELEC 1 UF 50V 10% CEC-K	1	C312	
46-24672W-097	PIN BASE *9 TJC3-9A	1	P001	FOR 46-26603H- 097(FRONT CTL BD)
11-SC1815-YB1	TRANSISTOR 2SC1815Y	2	Q12, Q13	
36-107483-A02	TRANSFORMER HORIZ DRIVER	1	T401	
27-MBC224-J01	CAP. M. P.E. 0.22 UF 50V +/-5%	1	C008	
25-BFB100-M11	CAP. ELEC 10 UF 50V +/-20%	1	C006	
46-11376W-037	PIN BASE *3 TJC2-3A	2	P404, P607	FOR 46-24768H- 037(PWR BD)
46-20598W-047	PIN BASE *4 TJC1-4A	1	P421	FOR DY CONNECTION
41-BF0080-0BB	WIRE UL 1007 #24 80MM BLACK	1	L - L	
10-PC574J-DJ1	DIODE ZENER UPC 574J	1	D004	
25-BKA100-M11	CAP. ELEC 10 UF 200V +/-20%	1	C407A	

MODEL NO.: CT-M6829 Chassis type EC2988
 BOM NO.: 03-2988MD-AA10
 SYSTEM: PAL BG NTSC PLAYBACK AV IN / OUT CABLE TUNER 50P

Parts	Description	Qty	Location	Comments
			J230, J232, J233, J234, J241, J249, J252, J259, J301, J402,	
41-WJ0100-B00	WIRE BARE JUMPER 10MM	12	J413, J414	
18-CE0822-JNX	RES. C.F. 8.2K OHM 1/2W +/-5%	1	R167	
18-DF0129-JGX	RES. M.F. 1.2 OHM 1W +/-5%	1	R307	
46-27776H-037	HS 3P22 150/5 BE BK TJC2-3Y	1	SP05H	FOR 46-11376W- 037(S.WOOFER BD)
45-141710-100	RESONATOR CSB503F2	1	X202	
54-128372-00X	FIBRE TUBE D=1MM L=10MM	2	FOR R309 FOR R443 & R444 & R445 &	
46-27094W-017	PIN BASE *1 TJC1-1B	8	R418	
41-BF0050-3BB	WIRE UL 1007 #24 50MM ORG	1	R - R	
67-242470-1M0	BRACKET M.BD L TYPE	1		
18-CB0223-JNX	RES. C.F. 22K OHM 1/6W +/-5%	5	R01, R014, R042, R261, R263	
25-BFB478-M11	CAP. ELEC 0.47 UF 50V +/-20%	1	C212	
34-R330J2-0EX	COIL PL - 33 UH +/-5%	4	L110, L205, L206, L601	
13-M24C04-00P	IC M24C04 EEPROM 4K	1	IC002	
10-1N4148-AB1	DIODE 1N4148 (SWITCHING)	2	D222, D903 J243, J250, J253, J254, J255, J256, J257, J302, J403, J604,	
41-WJ0125-B00	WIRE BARE JUMPER 12.5MM	12	J605, R417 J014, J032, J034, J037, J047, J048, J049, J053, J064, J067,	
41-WJ0150-B00	WIRE BARE JUMPER 15MM	14	J112, J210, J240, J416 J013, J205, J209, J218, J225,	
41-WJ0150-B00	WIRE BARE JUMPER 15MM	8	J237, J410, J412	
62-247970-0UN	BRACKET "D" PCB	1		
38-130990-00X	COIL I.F.T. TRF5418H	1	T203	
43-275550-003	DELAY LINE LUMI. 300NS DELAY LINE CHROMA YCS-	1	X201	
43-278460-004	FN6P5A11	1	X203	
25-BCB100-M11	CAP. ELEC 10 UF 16V +/-20%	1	C215A	
18-FG0479-JHX	RES. M.O. 4.7 OHM 2W +/-5%	1	R301	
18-FH0822-JIX	RES. M.O. 8.2K OHM 3W +/-5%	4	R418, R443, R444, R445	
48-114820-00X	SW. CHANNEL BAND SELECTOR	1	SW201	
41-WJ0060-B00	WIRE BARE JUMPER 6MM	4	J016, J106, J124, J201 J101, J105, J107, J110, J111,	
41-WJ0075-B00	WIRE BARE JUMPER 7.5MM	10	J113, J114, J116, J117, J122 J212, J221, J224, J226, J227, J231, J244, J245, J246, J247,	
41-WJ0075-B00	WIRE BARE JUMPER 7.5MM	11	J248 J009, J010, J011, J012, J041, J043, J902, J903, J905, J907,	
41-WJ0100-B00	WIRE BARE JUMPER 10MM	11	J908A J008, J056, J057, J108, J109, J118, J121, J206, J207, J208,	
41-WJ0100-B00	WIRE BARE JUMPER 10MM	15	J211, J220, J228, J229, J415 J003, J021, J025, J036, J038, J051, J052, J054, J055, J058, J059, J060, J061, J062, J065,	J203, J204, J217, J219, J236, J239, J242
41-WJ0125-B00	WIRE BARE JUMPER 12.5MM	23	J120	
37-JF0702-B00	FLYBACK JF0702B (25"29")	1	T461	
18-FE0121-JNX	RES. M.O. 120 OHM 1/2W +/-5%	1	R308	
18-FE0221-JNX	RES. M.O. 220 OHM 1/2W +/-5%	1	R315	
18-FE0301-JNX	RES. M.O. 300 OHM 1/2W +/-5%	1	R313	
18-FE0472-JNX	RES. M.O. 4.7K OHM 1/2W +/-5%	2	R416, R420	
18-FE0681-JNX	RES. M.O. 680 OHM 1/2W +/-5%	1	R421	
18-FE0759-JNX	RES. M.O. 7.5 OHM 1/2W +/-5%	1	R832A	
18-GJ0229-KUX	RES. CEMENT 2.2 OHM 5W +/-10%	1	R601	
18-CB0122-JNX	RES. C.F. 1.2K OHM 1/6W +/-5%	1	R266	
18-CB0561-JNX	RES. C.F. 560 OHM 1/6W +/-5%	5	R201, R208, R237, R269, R913	
46-12866W-027	PIN BASE *2 TJC3-2A	1	P202	FOR AGING TEST
40-262241-0AH	P.C.B. MAIN BD	1		
			R015, R033, R168, R170, R171, R172, R232, R617, R619, R907,	
18-CB0472-JNX	RES. C.F. 4.7K OHM 1/6W +/-5%	11	R908	
18-CB0512-JNX	RES. C.F. 5.1K OHM 1/6W +/-5%	1	R027	
25-BFB109-M11	CAP. ELEC 1 UF 50V +/-20%	2	C237, C249	
18-CB0393-JNX	RES. C.F. 39K OHM 1/6W +/-5%	1	R306	

MODEL NO.: CT-M6829 Chassis type EC2988
 BOM NO.: 03-2988MD-AA10
 SYSTEM: PAL BG NTSC PLAYBACK AV IN / OUT CABLE TUNER 50P

Parts	Description	Qty	Location	Comments
				FOR 46-13541W-057(S.WOOFER BD)
46-30630H-057	HS 5P22/24 220 TJC3-5Y/SCN-5Y	1	SP01H	
18-CB0274-JNX	RES. C.F. 270K OHM 1/6W +/-5%	2	R173, R236	
18-CB0224-JNX	RES. C.F. 220K OHM 1/6W +/-5%	2	R905, R906	
18-CB0273-JNX	RES. C.F. 27K OHM 1/6W +/-5%	1	R235	
			R006, R016, R024, R12, R166,	
18-CB0473-JNX	RES. C.F. 47K OHM 1/6W +/-5%	10	R203, R246, R257, R638, R639	
26-EBP470-JZ1	CAP. CER 47 PF 50V +/-5% SL TU	5	C012, C018, C020, C021, C269	
26-EBP470-JZ1	CAP. CER 47 PF 50V +/-5% SL TU	1	C035	SOLDER ON R002
26-EBP180-JZ1	CAP. CER 18 PF 50V 5% SL TUBU	1	C022	
			Q001, Q002, Q006, Q008, Q201, Q202, Q207, Q601, Q705, Q901,	
11-SC1815-YB1	TRANSISTOR 2SC1815Y	14	Q902, Q904, Q905, Q906	
			R281, R446, R636, R727, R912,	
18-CB0331-JNX	RES. C.F. 330 OHM 1/6W +/-5%	8	R915, R916, R923	
25-BCB470-M11	CAP. ELEC 47 UF 16V +/-20%	3	C001, C005A, C731	
20-TR05VC-321	TRIMMER B3K V.TYPE WDC	1	VR315	FOR V. CENTER
20-TR05VC-521	TRIMMER B5K V.TYPE WDC	1	VR401	FOR H. CENTER
20-TR05HC-121	TRIMMER B1K H.TYPE WDC	1	VR203	FOR COLOR PHASE
20-TR05VC-531	TRIMMER B50K V.TYPE WDC	2	VR204, VR206	FOR SUB. BRI. ADJ.
20-TR05VC-541	TRIMMER B500K V.TYPE WDC	1	VR202	FOR PAL V.
				FOR NTSC V. SIZE
				FOR 46-27250H-027 (F.CAB.)
46-12866W-027	PIN BASE *2 TJC3-2A	2	P602, P603	
63-B3508X-0B4	S/T SCREW B 3.5 X 8 B HARD	3	MTG TERM. BD TO M.BD BKT	
			J002, J004, J005, J030, J040, J042, J044, J069, J202, J223,	
41-WJ0050-B00	WIRE BARE JUMPER 5MM	14	J258, L401, L403, L404	
			J017, J026, J031, J035, J050, J070, J222, J251, J303, J304, J405, J409, J602, J607, J610,	
41-WJ0075-B00	WIRE BARE JUMPER 7.5MM	20	J612	J613, J614, J615, J617
18-CB0185-JNX	RES. C.F. 1.8M OHM 1/6W +/-5%	2	R268, R381	
27-ALR332-J01	CAP. M.PP 0.0033UF 1.6KV +/-5%	1	C425	
27-ALR392-J01	CAP. M.PP 0.0039UF 1.6KV +/-5%	1	C409	
67-H23717-3A0	HEAT SINK AUDIO AMP	1	FOR IC601	
18-CB0123-JNX	RES. C.F. 12K OHM 1/6W +/-5%	3	R029, R038, R253	
			R032, R037, R046, R047, R065,	
18-CB0682-JNX	RES. C.F. 6.8K OHM 1/6W +/-5%	9	R067, R227, R294, R909	
18-EF0478-JG1	RES. FUS 0.47 OHM 1W +/-5%	1	R402	
25-BFB229-M11	CAP. ELEC 2.2 UF 50V +/-20%	2	C217, C252	
25-BCB331-M11	CAP. ELEC 330 UF 16V +/-20%	1	C603	
27-AGQ474-J0F	CAP M.PP 0.47UF 250V +/-5%	1	C407	
27-ALR762-J01	CAP. M.PP 0.0076UF 1.6KV +/-5%	1	C424	
36-256200-00X	COIL LINEARITY TRL242 (21UH)	1	L402	
18-CB0105-JNX	RES. C.F. 1M OHM 1/6W +/-5%	1	R304	
18-CB0474-JNX	RES. C.F. 470K OHM 1/6W +/-5%	2	R163, R164	
18-CB0104-JNX	RES. C.F. 100K OHM 1/6W +/-5%	5	R002, R004, R039, R124, R835A	
18-CB0154-JNX	RES. C.F. 150K OHM 1/6W +/-5%	3	R126, R608, R609	
18-CB0332-JNX	RES. C.F. 3.3K OHM 1/6W +/-5%	3	R13, R278, R323	
18-CB0392-JNX	RES. C.F. 3.9K OHM 1/6W +/-5%	1	R11	
			C030, C151, C246, C610, C613,	
25-BFB479-M11	CAP. ELEC 4.7 UF 50V +/-20%	7	C618, C620	
			C148, C218, C220, C229, C602,	
27-MBC104-J01	CAP. M. P.E. 0.1 UF 50V +/-5%	9	C625, C626, C911, C912	
07-03300K-HCA	TUNER 3300KHC-AFC (470MHZ)	1	TU101	
26-ABC821-JZX	CAP. CER 820 PF 50V +/-5%	1	SOLDER ON R015	
18-CB0333-JNX	RES. C.F. 33K OHM 1/6W +/-5%	2	R020, R305	
18-CB0303-JNX	RES. C.F. 30K OHM 1/6W +/-5%	1	R031	
25-BEG222-M11	CAP. ELEC 2200 UF 35V +/-20%	1	C301	
08-2968MD-PW1	ASS'Y - POWER BD (C.B.)			
10-00EG1Z-E01	DIODE EG1Z (FAST RECOVERY)	1	D803	
10-00EU1Z-E01	DIODE EU1Z (FAST RECOVERY)	2	D804, D805	
10-00RG2Y-E01	DIODE RG2Y (FAST RECOVERY)	1	D809	
10-0FR104-EB1	DIODE FR104 (FAST RECOVERY)	3	D808, D810, D811	
10-0RU3AM-E01	DIODE RU3AM (FAST RECOVERY)	1	D807	
10-0RU4YX-E01	DIODE RU4YX (FAST RECOVERY)	1	D806	
10-79C12V-DB1	DIODE ZENER 12V 1/2W 5%	1	D812	
10-79C16V-DB1	DIODE ZENER 16V 1/2W 5%	1	D815	
10-D3SB60-H71	DIODE D3SB60 (BRIDGE RECT.)	1	D800	

MODEL NO.: CT-M6829 Chassis type EC2988
BOM NO.: 03-2988MD-AA10
SYSTEM: PAL BG NTSC PLAYBACK AV IN / OUT CABLE TUNER 50P

Parts	Description	Qty	Location	Comments
10-HZ9LA3-DB1	DIODE ZENER 8.1V-8.5V 1/2W	1	D813	
11-2SA817-AA1	TRANSISTOR 2SA817AY	1	Q801	
11-SC2230-YB1	TRANSISTOR 2SC2230Y	1	Q803	
13-00SE14-ONS	IC SE140N	1	IC802	
13-STRS63-09S	IC STRS6309 - LF953	1	IC801	
15-00TLP6-21C	PHOTO COUPLER TLP621 (GRH)	1	IC803	
18-BE0475-KN1	RES. C.C. 4.7M OHM 1/2W +/-10%	2	R815, R815A	
18-CB0333-JNX	RES. C.F. 33K OHM 1/6W +/-5%	2	R835, R851	
18-CD0101-JNX	RES. C.F. 100 OHM 1/4W +/-5%	4	R812, R812A, R825, R825A	
18-CD0102-JNX	RES. C.F. 1K OHM 1/4W +/-5%	2	R816, R816A	
18-CD0151-JNX	RES. C.F. 150 OHM 1/4W +/-5%	1	R828	
18-CD0223-JNX	RES. C.F. 22K OHM 1/4W +/-5%	1	R804	
18-CD0241-JNX	RES. C.F. 240 OHM 1/4W +/-5%	2	R813, R813A	
18-CD0332-JNX	RES. C.F. 3.3K OHM 1/4W +/-5%	1	R824	
18-CD0333-JNX	RES. C.F. 33K OHM 1/4W +/-5%	1	R814	
18-CE0332-JNX	RES. C.F. 3.3K OHM 1/2W +/-5%	1	R818	
18-DF0109-JGX	RES. M.F. 1 OHM 1W +/-5%	1	R811	
18-EG0109-JH1	RES. FUS 1 OHM 2W +/-5%	1	R833	
18-FF0102-JGX	RES. M.O. 1K OHM 1W +/-5%	1	R832	
22-G200N2-702	POSISTOR PTH451C262BG200N270	1	RT800	
25-BCA222-M11	CAP. ELEC 2200 UF 16V +/-20%	1	C826	
25-BCB101-M11	CAP. ELEC 100 UF 16V +/-20%	1	C832	
25-BDA471-M11	CAP. ELEC 470 UF 25V +/-20%	1	C829	
25-BEG222-M11	CAP. ELEC 2200 UF 35V +/-20%	1	C813	
25-BJA220-M11	CAP. ELEC 22 UF 160V +/-20%	1	C815	
25-BJA330-M11	CAP. ELEC 33 UF 160V +/-20%	1	C823	
25-BJA470-M11	CAP. ELEC 47 UF 160V +/-20%	1	C814	
25-BKJ221-M11	CAP. ELEC 220 UF 200V +/-20%	1	C820	
25-BMJ221-M11	CAP. ELEC 220 UF 400V +/-20%	1	C810	
26-ABC104-ZFX	CAP. CER 0.1UF 50V +80-20% F	3	C825, C828, C831	
26-EBP221-JC1	CAP. CER 220 PF 50V +/-5% CH	2	C833, C836 C824, C827, C830, C837, C838,	
26-AIC221-KBX	CAP. CER 220 PF 500V +/-10% B	6	C839	
26-AIM103-KBX	CAP. CER 0.01 UF 500V +/-10% B	3	C809, C819, C822	
26-AKK471-KB1	CAP. CER 470 PF 1KV +/-10% B	2	C818, C821	
26-AQK472-ZF1	CAP. CER 4700PF 250VAC +80-20%F	4	C805, C806, C807, C808	
27-ALQ222-J01	CAP. M.PP 0.0022UF 1.6KV +/-5%	1	C811	
27-RCK333-J01	CAP. PP 0.033UF 100V +/-5%	1	C812 L804, L805, L806, L807, L808,	
35-139730-00X	FERR. BEAD BF60	10	L809, L810, L811, L814	
35-237250-00X	FERR. BEAD HF70	2	L812, L813	
41-AJ0075-BEE	WIRE BARE JUMPER 7.5MM	1	D830	
41-AJ0125-BEE	WIRE BARE JUMPER 12.5MM	3	D831, J803, J813	
41-AJ0200-BEE	WIRE BARE JUMPER 20MM	3	J801, J802, J802A	
46-27157H-037	HS 3P24 330/5 F/W TJC3-3Y	1	P002H	FOR 46-12210W-037(M.BD)
62-10654X-00F	UNI - TIE 2.5X95MM	7		
62-234570-0UA	BRACKET POWER BD	1		
62-269980-0HG	CABLE CLAMP	1	FOR 46-27361H-037	
63-B3008X-0B4	S/T SCREW B 3 X 8 B	1	MTG POWER BD TO BRACKET	
64-B3008X-102	M/C SCREW B 3 X 8	1	FOR Q804	
64-P3014X-102	M/C SCREW P 3 X 14	1	FOR IC801 & H. SINK SUPP.	
65-E3305X-07E	SPRING WASHER 3.3 X 5.0 X 0.7	1	FOR IC801 & H. SINK SUPP.	
67-H34423-3A0	HEAT SINK	1	FOR IC801	
67-344647-2A0	HEAT SINK (H=60MM)	1	FOR Q804	
71-242640-0A2	LABEL WARNING LIVE PARTS	1	STICK ON HEAT SINK	
90-209770-000	SILICONE GREASE G-746	0	FOR Q804 & IC801	
36-238300-A02	LINE FILTER	1	T801	
46-10962W-027	PIN BASE *2 TJC2-2A	1	P801	FOR DEGAUSSING FOR 46-11376W-037(M.BD) FOR 46-11376W-037(M.BD)
46-24767H-037	HS 3P22 520/7 GN RD TJC2-3Y	1	P404H	
46-24768H-037	HS 3P22 330/7 BE BK TJC2-3Y	1	P607H FOR POWER BD TO POWER	
46-27361H-037	HS 3P22B 450/7 BN BE TJC2-3Y	1	SW. BD	
41-AJ0150-BEE	WIRE BARE JUMPER 15MM	1	R803A	
27-PBC102-J01	CAP. P.E. 0.001 UF 50V +/-5%	1	C816	
18-CD0681-JNX	RES. C.F. 680 OHM 1/4W +/-5%	1	R809	
36-274820-002	TRANSF. CONVERTER	1	T803	
54-128372-00X	FIBRE TUBE D=1MM L=10MM	1	FOR R811	

MODEL NO.: CT-M6829 Chassis type EC2988
BOM NO.: 03-2988MD-AA10
SYSTEM: PAL BG NTSC PLAYBACK AV IN / OUT CABLE TUNER 50P

Parts	Description	Qty	Location	Comments
41-AJ0050-BEE	WIRE BARE JUMPER 5MM	2	L818, L819	
18-EF0109-JG1	RES. FUS 1 OHM 1W +/-5%(LS)	1	L815	
18-FG0159-JHX	RES. M.O. 1.5 OHM 2W +/-5%	2	R831, R831A	
18-FG0104-JHX	RES. M.O. 100K OHM 2W +/-5%	1	R803	
18-FG0183-JHX	RES. M.O. 18K OHM 2W +/-5%	1	R830	
18-FG0278-JHX	RES. M.O. 0.27 OHM 2W +/-5%	1	R810	
18-FH0103-JIX	RES. M.O. 10K OHM 3W +/-5%	1	R826	
18-FH0270-JIX	RES. M.O. 27 OHM 3W +/-5%	1	R807	
18-GM0339-KTX	RES. CEMENT 3.3 OHM 7W +/-10%	1	R802	
18-GJ0220-KUX	RES. CEMENT 22 OHM 5W +/- 10%	1	R806	
41-AJ0110-BEE	WIRE BARE JUMPER 11MM	2	FOR S801	
26-ATK222-MEJ	CAP. CER 2200PF T400VAC +/-20%	1	C817	
11-D1273A-PA1	TRANSISTOR 2SD1273A-P	2	Q802, Q804	
34-R101K2-1B3	COIL CHOKE 100 UH +/-10%	2	L801, L816 F801, J804, J805, J806, J807, J808, J809, J810, J811, J812,	
41-AJ0100-BEE	WIRE BARE JUMPER 10MM	11	J817	
36-238300-A02	LINE FILTER	1	T802	
40-2968SZ-PWB	P.C.B. POWER BD	1		
27-MHM104-K01	CAP. METAL P.E. 0.1UF 400V 10%	1	C804	
08-2988MD-SWVY	ASS'Y - PWR SWITCH BD(AUST CB)			
40-256910-0AB	P.C.B. POWER SW BD	1		
54-113971-0U4	PVC TUBE #6 L=20MM	2	FOR AC CORD	
62-262660-0HA	POWER SW. ADAPTER	1		
63-B3010X-BT4	S/T SCREW B 3 X 10 BT	5	MTG SW. HOLDER TO F.CAB.	MTG PCB TO SW. HOLDER
74-010050-40C	POLYBAG FOR POWER CORD	1		
48-256460-0C0	SW. POWER TV8 (PCB MOUNTING)	1		
18-BE0105-KN1	RES. C.C. 1M OHM 1/2W +/-10%	1	R801S	
46-11376W-037	PIN BASE *3 TJC2-3A POWER CORD 8FT W/PIN TERM.	1	P801S	FOR 46-27361H- 037(PWR BD)
51-JC0243-0CC	SAA	1		
50-26931D-1VS	FUSE 3.15AT 250V 5X20MM BELL	1	F801S	
62-256350-0UN	POWER SWITCH HOLDER	1		
27-AQT224-MVF	CAP. M.PP 0.22UF 250VAC 20% CB	1	C801S	
66-20516X-0B0	FUSE HOLDER	2	FOR F801S	
08-2988MD-CRY	ASS'Y - CRT BD (TEAC)			
10-1N4148-AB1	DIODE 1N4148 (SWITCHING)	4	D501, D502, D503, D504	
11-SC4544-0A1	TRANSISTOR 2SC4544	3	Q551, Q552, Q553	
18-CB0101-JNX	RES. C.F. 100 OHM 1/6W +/-5%	3	R579, R580, R581	
18-CB0103-JNX	RES. C.F. 10K OHM 1/6W +/-5%	1	R501	
18-CB0122-JNX	RES. C.F. 1.2K OHM 1/6W +/-5%	3	R564, R565, R566	
18-CB0150-JNX	RES. C.F. 15 OHM 1/6W +/-5%	3	R570, R571, R572	
18-CB0151-JNX	RES. C.F. 150 OHM 1/6W +/-5%	3	R567, R568, R569	
18-CB0332-JNX	RES. C.F. 3.3K OHM 1/6W +/-5%	3	R582, R583, R584	
18-CB0391-JNX	RES. C.F. 390 OHM 1/6W +/-5%	3	R557, R558, R559	
18-CB0471-JNX	RES. C.F. 470 OHM 1/6W +/-5%	3	R554, R555, R556	
18-CE0154-JNX	RES. C.F. 150K OHM 1/2W +/-5%	3	R576, R577, R578	
18-CE0222-JNX	RES. C.F. 2.2K OHM 1/2W +/-5%	3	R573, R574, R575	
25-BFB478-M11	CAP. ELEC 0.47 UF 50V +/-20%	1	C502	
26-EBP102-KB1	CAP. CER 1000PF 50V 10% B TUBU	3	C554, C555, C556	
26-EBP103-ZF1	CAP. CER 0.01UF 50V +80-20% F	1	C567	
26-EBP331-JC1	CAP. CER 330 PF 50V +/-5% CH	3	C551, C552, C553	
26-AMK102-KR1	CAP. CER 1000 PF 2KV +/-10% R	1	C568	
34-R150J2-0EX	COIL PL - 15 UH +/-5%	1	L557	
34-R300J2-0EX	COIL PL - 30 UH +/-5%	3	L554, L555, L556	
34-R470J2-0EX	COIL PL - 47 UH +/-5%	3	L551, L552, L553	
41-WJ0150-B00	WIRE BARE JUMPER 15MM	1	J503	
46-20389H-047	HS 4P24 460/5 F/W TJC3-4Y	1	P401H	FOR 46-10960W- 047(M.BD)
46-27240H-057	HS 5P24 450 F/W TJC3-5Y/SCN-5	1	P201H	FOR 46-13541W- 057(M.BD) FOR CRT GROUNDING HOUS.
46-10967W-017	PIN BASE *1 TJC1-1A	1	P501	
40-275120-0AC	P.C.B. CRT BD	1		
11-SC1815-YB1	TRANSISTOR 2SC1815Y	3	Q554, Q555, Q556	
11-SC2482-0B1	TRANSISTOR 2SC2482	1	Q501	
18-CB0330-JNX	RES. C.F. 33 OHM 1/6W +/-5%	2	R502, R503	

MODEL NO.: CT-M6829 Chassis type EC2988
 BOM NO.: 03-2988MD-AA10
 SYSTEM: PAL BG NTSC PLAYBACK AV IN / OUT CABLE TUNER 50P

Parts	Description	Qty	Location	Comments
25-BCB101-M11	CAP. ELEC 100 UF 16V +/-20%	1	C566	
25-BCA102-M11	CAP. ELEC 1000 UF 16V +/-20%	1	C501	
25-BLA100-M11	CAP. ELEC 10 UF 250V +/-20%	1	C570	
18-CB0102-JNX	RES. C.F. 1K OHM 1/6W +/-5%	1	R563	
41-WJ0075-B00	WIRE BARE JUMPER 7.5MM	2	J501, J502	
47-265540-0U7	SOCKET CRT GZS10-2-4 B	1	S501	
18-FH0822-JIX	RES. M.O. 8.2K OHM 3W +/-5%	3	R551, R552, R553	
18-FE0121-JNX	RES. M.O. 120 OHM 1/2W +/-5%	1	R593	
20-TR08VC-321	TRIMMER B3K V.TYPE WDC	5	VR555	
34-R100K2-1B3	COIL CHOKE 10 UH +/-10%	1	L501	
34-R220K2-1B3	COIL CHOKE 22 UH +/-10%	1	L502	
08-2968MD-IFY	ASS'Y - IF BD(RCA:F1814D+G/ST)			
11-SC1815-YB1	TRANSISTOR 2SC1815Y	1	Q102	
	TRANSISTOR 2SC388ATM (RF			
	AMPL)	1	Q101	
11-SC388A-MB1		1	Q101	
18-CB0102-JNX	RES. C.F. 1K OHM 1/6W +/-5%	4	R103, R120, R122, R135	
18-CB0150-JNX	RES. C.F. 15 OHM 1/6W +/-5%	1	R108	
18-CB0221-JNX	RES. C.F. 220 OHM 1/6W +/-5%	1	R106	
18-CB0222-JNX	RES. C.F. 2.2K OHM 1/6W +/-5%	2	R117, R145	
18-CB0224-JNX	RES. C.F. 220K OHM 1/6W +/-5%	1	R121	
18-CB0332-JNX	RES. C.F. 3.3K OHM 1/6W +/-5%	1	R129	
18-CB0471-JNX	RES. C.F. 470 OHM 1/6W +/-5%	1	R107	
18-CB0472-JNX	RES. C.F. 4.7K OHM 1/6W +/-5%	1	R118	
18-CB0562-JNX	RES. C.F. 5.6K OHM 1/6W +/-5%	1	R105	
25-BCB101-M11	CAP. ELEC 100 UF 16V +/-20%	1	C115	
25-BFB478-K1A	CAP. ELEC 0.47UF 50V 10% CEC-K	1	C112	
25-BFB478-M11	CAP. ELEC 0.47 UF 50V +/-20%	1	C120	
26-EBP102-KB1	CAP. CER 1000PF 50V 10% B TUBU	1	C119	
			C104, C105, C111, C113, C114,	
			C116, C117, C121, C123, C126,	
26-EBP103-ZF1	CAP. CER 0.01UF 50V +80-20% F	12	C136, C144	
26-EBP103-ZF1	CAP. CER 0.01UF 50V +80-20% F	1	C140	
26-EBP220-JC1	CAP. CER 22 PF 50V +/-5% CH	1	C138	
26-EBP330-JC1	CAP. CER 33 PF 50V +/-5% CH	1	C139	
34-A568K0-1IX	COIL CHOKE 0.56 UH +/-10%	1	L102	
34-R330J2-0EX	COIL PL - 33 UH +/-5%	1	L103	
38-236550-000	COIL I.F.T. 236550 FOR AFT	1	T104	
38-236560-000	COIL I.F.T. 236560 FOR VCO	1	T105	
45-135070-600	CER. TRAP TPS 5.5MHZ	1	Z102	
67-257880-0T0	SHIELD CAN BOTTOM	1		
40-262361-0AC	P.C.B. IF BD	1		
38-258430-000	COIL I.F.T. TRF3290B 32MHZ	1	T108	
41-WJ0050-B00	WIRE BARE JUMPER 5MM	1	BACK OF BD C136 TO C126	
54-128372-00X	FIBRE TUBE D=1MM L=10MM	1		
18-CB0101-JNX	RES. C.F. 100 OHM 1/6W +/-5%	2	C101, R146	
			J102, J103, J104, J106, J108,	
41-WJ0075-B00	WIRE BARE JUMPER 7.5MM	7	J109, L101	
26-ABC509-JCX	CAP. CER 5 PF 50V +/-5% NPO	1	C137	
41-WJ0050-B00	WIRE BARE JUMPER 5MM	4	J101, J105, J107, R104	
26-EBP100-JC1	CAP. CER 10 PF 50V +/-5% CH	1	C102	
26-EBP270-JC1	CAP. CER 27 PF 50V +/-5% CH	2	C106, C127	
38-258420-000	COIL I.F.T. TRF3000B 30MHZ	1	T101	
18-CB0470-JNX	RES. C.F. 47 OHM 1/6W +/-5%	1	R123	
18-CB0560-JNX	RES. C.F. 56 OHM 1/6W +/-5%	1	R102	
34-R150J2-0EX	COIL PL - 15 UH +/-5%	1	L106	
45-286670-00X	SAW FILTER F1814D PIF 38.9MHZ	1	Z101	
18-CB0124-JNX	RES. C.F. 120K OHM 1/6W +/-5%	1	R119	
20-TR05VC-231	TRIMMER B20K V.TYPE WDC	1	VR101	
			FOR P10/IC101&(B)	
11-SA1015-YB1	TRANSISTOR 2SA1015Y	1	R119/C117&(E) GND(C)	
41-WJ0045-B00	WIRE BARE JUMPER 4.5MM	1	FOR T102	
18-CB0331-JNX	RES. C.F. 330 OHM 1/6W +/-5%	1	R147	
18-CB0271-JNX	RES. C.F. 270 OHM 1/6W +/-5%	1	R148	
			FOR (C)&P13/IC101,	
11-TC144E-SB1	TRANSISTOR DTC144ES (TP)	1	(B)&P37/IC001	
41-BF0180-3BB	WIRE UL 1007 #24 180MM ORG	1	FOR C144ES(B) & P37/IC001	
13-0LA757-7NP	IC LA7577N	1	IC101	
27-MBC104-J01	CAP. M. P.E. 0.1 UF 50V +/-5%	1	C118	

MODEL NO.: CT-M6829 Chassis type EC2988
BOM NO.: 03-2988MD-AA10
SYSTEM: PAL BG NTSC PLAYBACK AV IN / OUT CABLE TUNER 50P

Parts	Description	Qty	Location	Comments
08-2988MD-TXY ASS'Y - FAST TEXT PARTS				
10-1N4148-AB1	DIODE 1N4148 (SWITCHING)	2	D701, J716	
11-2N3904-0B1	TRANSISTOR 2N3904	3	Q701, Q702, Q703	
13-0CF702-00P	IC CF70200 EUROTTEXT DECODER	1	IC702	
13-0CF723-06P	IC CF72306 DATA SLICER	1	IC701	
41-WJ0100-B00	WIRE BARE JUMPER 10MM	2	J714, J718	
41-WJ0150-B00	WIRE BARE JUMPER 15MM	2	J702, J704	
45-258150-100	CRYSTAL 13.875MHZ	1	X701	
18-CB0102-JNX	RES. C.F. 1K OHM 1/6W +/-5%	5	R706, R714, R718, R719, R720	
18-CB0222-JNX	RES. C.F. 2.2K OHM 1/6W +/-5%	4	C723, C724, C725, C729 R709, R710, R711, R712, R713,	
18-CB0472-JNX	RES. C.F. 4.7K OHM 1/6W +/-5%	6	R725	
18-CB0682-JNX	RES. C.F. 6.8K OHM 1/6W +/-5%	1	R707	
26-EBP101-JC1	CAP. CER 100 PF 50V +/-5% CH	3	C726, C727, C728	
26-EBP102-KB1	CAP. CER 1000PF 50V 10% B TUBU	2	C708, C710	
26-ABC104-ZFX	CAP. CER 0.1UF 50V +80-20% F	1	C714A	
26-EBP150-JC1	CAP. CER 15 PF 50V +/-5% CH	2	C705, C706	
26-EBP221-JC1	CAP. CER 220 PF 50V +/-5% CH	2	C703, C709	
26-EBP470-JZ1	CAP. CER 47 PF 50V +/-5% SL TU	1	C712	
34-R330J2-0EX	COIL PL - 33 UH +/-5%	1	L701	
41-WJ0125-B00	WIRE BARE JUMPER 12.5MM	3	J710A, J711, J711A	
26-ABC104-ZFX	CAP. CER 0.1UF 50V +80-20% F	4	C707, C711, C714, C715	
26-EBP103-ZF1	CAP. CER 0.01UF 50V +80-20% F	3	C702, C722, C730	
41-WJ0050-B00	WIRE BARE JUMPER 5MM	4	C721, J702A, J708, R702	
25-BCB471-M11	CAP. ELEC 470 UF 16V +/-20%	1	C713	
18-CB0103-JNX	RES. C.F. 10K OHM 1/6W +/-5%	2	C718, R705 J701, J703, J705, J706, J707, J709, J709A, J710, J712, J713,	
41-WJ0075-B00	WIRE BARE JUMPER 7.5MM	12	J715, J717	
11-SC1815-YB1	TRANSISTOR 2SC1815Y	1	Q704	
18-CB0331-JNX	RES. C.F. 330 OHM 1/6W +/-5%	1	R726	
08-2968MD-STY ASS'Y - GERMAN STEREO PARTS				
13-0TDA84-15P	IC TDA8415	1	IC604	
13-0TDA98-21P	IC TDA9821	1	IC603	
25-BCB100-M11	CAP. ELEC 10 UF 16V +/-20%	1	C639	
18-CB0102-JNX	RES. C.F. 1K OHM 1/6W +/-5%	1	R624	
18-CB0103-JNX	RES. C.F. 10K OHM 1/6W +/-5%	1	R633	
18-CB0122-JNX	RES. C.F. 1.2K OHM 1/6W +/-5%	2	R626, R627	
18-CB0150-JNX	RES. C.F. 15 OHM 1/6W +/-5%	1	R630	
18-CB0221-JNX	RES. C.F. 220 OHM 1/6W +/-5%	2	R628, R629	
18-CB0224-JNX	RES. C.F. 220K OHM 1/6W +/-5%	1	R632	
18-CB0273-JNX	RES. C.F. 27K OHM 1/6W +/-5%	1	R625	
18-CB0331-JNX	RES. C.F. 330 OHM 1/6W +/-5%	2	R622, R623	
18-CB0472-JNX	RES. C.F. 4.7K OHM 1/6W +/-5%	1	R631	
26-EBP103-ZF1	CAP. CER 0.01UF 50V +80-20% F	1	C640	
26-ABC223-ZFX	CAP. CER 0.022UF 50V +80-20% F	1	C631	
10-79C5V1-DB1	DIODE ZENER 5.1V 1/2W 5%	1	D603	
11-SA1015-YB1	TRANSISTOR 2SA1015Y	1	Q602	
18-FF0101-JGX	RES. M.O. 100 OHM 1W +/-5%	1	R634	FOR +12V
27-MBC224-J01	CAP. M. P.E. 0.22 UF 50V +/-5%	1	C638 C633, C634, C635, C636, C637,	
25-BFB229-M11	CAP. ELEC 2.2 UF 50V +/-20%	6	C641	
20-TR05HC-521	TRIMMER B5K HORIZ TYPE WDC	1	VR601	
41-WJ0050-B00	WIRE BARE JUMPER 5MM	1	J606	
41-WJ0075-B00	WIRE BARE JUMPER 7.5MM	1	J601	
41-WJ0100-B00	WIRE BARE JUMPER 10MM	2	J608, J609	
41-WJ0125-B00	WIRE BARE JUMPER 12.5MM	1	J066	
41-WJ0175-B00	WIRE BARE JUMPER 17.5MM	1	J068	
45-107741-401	CER. FILTER 6.5MHZ	1	Z603	
45-269240-40H	CERAMIC FILTER SFT5.5MA	1	Z602	
45-269230-40H	CERAMIC FILTER SFT5.74MA	1	Z601	
45-228590-100	CRYSTAL 10MHZ	1	X601	
25-BCB221-M11	CAP. ELEC 220 UF 16V +/-20%	1	C632	
08-2968MD-DP1 ASS'Y - DPC BD (SAMSUNG: C.B.)				
10-1N4148-AB1	DIODE 1N4148 (SWITCHING)	1	D1401	
10-79C12V-DB1	DIODE ZENER 12V 1/2W 5%	2	D1403, D1404	
11-SA1015-YB1	TRANSISTOR 2SA1015Y	1	Q1404	

MODEL NO.: CT-M6829 Chassis type EC2988
BOM NO.: 03-2988MD-AA10
SYSTEM: PAL BG NTSC PLAYBACK AV IN / OUT CABLE TUNER 50P

Parts	Description	Qty	Location	Comments
11-SC1815-YB1	TRANSISTOR 2SC1815Y	4	Q1405, Q1406, Q1407, Q1408	
18-CB0102-JNX	RES. C.F. 1K OHM 1/6W +/-5%	3	R1442, R1445, R1447	
18-CB0103-JNX	RES. C.F. 10K OHM 1/6W +/-5%	1	R1440	
18-CB0122-JNX	RES. C.F. 1.2K OHM 1/6W +/-5%	2	R1435, R1467	
18-CB0152-JNX	RES. C.F. 1.5K OHM 1/6W +/-5%	1	R1444	
18-CB0183-JNX	RES. C.F. 18K OHM 1/6W +/-5%	1	R1434	
18-CB0222-JNX	RES. C.F. 2.2K OHM 1/6W +/-5%	3	R1437, R1446, R1461	
18-CB0223-JNX	RES. C.F. 22K OHM 1/6W +/-5%	1	R1466	
18-CB0272-JNX	RES. C.F. 2.7K OHM 1/6W +/-5%	1	R1458	
18-CB0333-JNX	RES. C.F. 33K OHM 1/6W +/-5%	1	R1438	
18-CB0392-JNX	RES. C.F. 3.9K OHM 1/6W +/-5%	1	R1449	
18-CB0393-JNX	RES. C.F. 39K OHM 1/6W +/-5%	1	R1450	
18-CB0473-JNX	RES. C.F. 47K OHM 1/6W +/-5%	2	R1457, R1459	
18-CB0752-JNX	RES. C.F. 7.5K OHM 1/6W +/-5%	1	R1448	
18-CD0122-JNX	RES. C.F. 1.2K OHM 1/4W +/-5%	1	R1453	
18-CD0392-JNX	RES. C.F. 3.9K OHM 1/4W +/-5%	1	R1431	
18-DD0183-FN1	RES. M.F. 18K OHM 1/4W +/-1%	1	R1443	
18-DD0184-FN1	RES. M.F. 180K OHM 1/4W +/-1%	1	R1439	
25-264610-M11	CAP. ELEC 4.7UF 50V +/-20% NP	1	C1451	
25-BEA471-M11	CAP. ELEC 470 UF 35V +/-20%	1	C1454	
25-BEB101-M11	CAP. ELEC 100 UF 35V +/-20%	1	C1452	
25-BEB470-M11	CAP. ELEC 47UF 35V +/-20%	1	C1453	
25-BFB479-M11	CAP. ELEC 4.7 UF 50V +/-20%	1	C1460	
25-FEB330-M11	CAP. ELEC 33 UF 35V +/-20% N.P	2	C1457, C1458	
27-PBC104-J01	CAP. P.E. 0.1 UF 50V +/-5%	2	C1455, C1456	
36-264520-008	COIL LINEARITY 800 UH	1	L1405	
40-262751-0AE	P.C.B. DPC BD	1		
63-B3508H-0B4	S/T SCREW B 3.5 X 8 B HARD	2	MTG. H.SINK DPC.	
64-P3010X-104	M/C SCREW P 3 X 10	1	FOR Q1403	
65-Z3005X-23M	NUT M 3	1	FOR Q1403	
67-229340-2A0	HEAT SINK DPC	1		
99-217425-00X	UL ELEC. TAPE 19(W) X 50(L)MM	1	STICK ON H.SINK	
46-21550W-037	HEADER *3 TS3B-SQ-1	3	P1401/2/3 FOR DPC BD & M.BD	
11-SD1499-QA1	TRANSISTOR 2SD1499Q (POWER)	1	Q1403	
18-FE0121-JNX	RES. M.O. 120 OHM 1/2W +/-5%	1	R1432	
41-WJ0075-B00	WIRE BARE JUMPER 7.5MM	4	J1401, J1402, J1403, J1405	
18-CB0822-JNX	RES. C.F. 8.2K OHM 1/6W +/-5%	1	R1468	
18-CD0182-JNX	RES. C.F. 1.8K OHM 1/4W +/-5%	1	R1452	
20-TR05VC-521	TRIMMER B5K V.TYPE WDC	1	VR1405	
20-TR05VC-231	TRIMMER B20K V.TYPE WDC	1	VR1406	
27-PBC333-J01	CAP. P.E. 0.033 UF 50V +/-5%	1	C1488	
18-EG0439-JH1	RES. FUS 4.3 OHM 2W +/-5%	1	R1430	
18-CB0274-JNX	RES. C.F. 270K OHM 1/6W +/-5%	2	R1441, R1460	
10-79C8V2-DB1	DIODE ZENER 8.2V 1/2W 5%	1	D1402	
08-2988MD-FBY	ASSY - F CTL BD (88/90 WOOF)			
18-CB0100-JNX	RES. C.F. 10 OHM 1/6W +/-5%	1	RK01	
18-CB0102-JNX	RES. C.F. 1K OHM 1/6W +/-5%	2	RK02, RK04	
20-24642X-103	VARIABLE RES. B10K H=6.5 S=20	1	VR601	
25-BCB220-M11	CAP. ELEC 22 UF 16V +/-20%	1	CK01	
41-BF0050-0BB	WIRE UL 1007 #24 50MM BLK	1	FOR LED-PCB	
41-BF0050-3BB	WIRE UL 1007 #24 50MM ORG	1	FOR LED-PCB	
46-26603H-097	HS 9P24 200 TJC3-9Y/SCN-9Y	1	P001H SWK01, SWK02, SWK03, SWK04, SWK05, SWK06	FOR 46-24672W-097(M.BD)
48-231010-00B	SW. TACT VERT. (H=4MM L=6.4MM)	6	SWK04, SWK05, SWK06	
48-267660-00X	SWITCH SLIDE SK-22F05G13	1	SW601	
62-226920-1HA	HOLDER LED	1		
62-251200-0UA	BRACKET (FRONT PCB)	1		
62-256390-0HA	FRONT CONTROL BD HOLDER	2		
63-B3010X-BT4	S/T SCREW B 3 X 10 BT	3	MTG CTL BD & BKT	
14-255670-LR2	LED RED L- 53ID	1	DK01	
46-27778H-037	HS 3P SHIELD 370 TJC3/SCN-3Y	1	SP03H	FOR 46-12210W-037(S.WOOFER BD)
40-268740-0AD	P.C.B. FRONT CTL BD	1		
41-WJ0075-B00	WIRE BARE JUMPER 7.5MM	4	JK01, JK02, JK03, RK03	
08-2968MD-TEY	ASSY - TERM. BD (2988/89 RCA)			
18-CB0473-JNX	RES. C.F. 47K OHM 1/6W +/-5%	2	R91, R92	
26-EBP102-KB1	CAP. CER 1000PF 50V 10% B TUBU	2	C91, C92	
41-WJ0125-B00	WIRE BARE JUMPER 12.5MM	1	J931	

MODEL NO.: CT-M6829 Chassis type EC2988
 BOM NO.: 03-2988MD-AA10
 SYSTEM: PAL BG NTSC PLAYBACK AV IN / OUT CABLE TUNER 50P

Parts	Description	Qty	Location	Comments
41-WJ0150-B00	WIRE BARE JUMPER 15MM	1	J933	
46-24671H-127	HS 12P24 180 TJC3-12Y/SCN-6Y	1	P901H	FOR 46-24672W-127(M.BD)
47-214700-0UX	JACK RCA JPJ2022-01-020 RED	1	P921	
47-214710-0UX	JACK RCA JPJ2022-01-030 WHITE	2	P912, P922	
47-214720-0UX	JACK RCA JPJ2022-01-040 YELLOW	2	P913, P923	
54-128700-0X0	FIBRE WASHER 3.3 X 10 X 0.8	2	BD	MTG. HOLDER TO TERMINAL
63-B3008X-0B4	S/T SCREW B 3 X 8 B	2	BD	MTG HOLDER TO TERMINAL
67-134480-2E2	NUT INSERTING	3	TERMINAL HOLDER	
62-256420-0UN	BRACKET TERMINAL	1		
40-278380-0AB	P.C.B. AV BD	1		
47-309810-004	RCA JACKET RED (RCA-101P)	1	P911	
08-274690-IRY	ASS'Y - IR PRE-AMP BD(25"/29")			
02-279450-00B	IR RECEIVER MODULE TSOP1838	1	IR01301	
40-274000-0DB	P.C.B IR PREAMP BD (25&29)	1		
41-AJ0060-BEE	WIRE BARE JUMPER 6MM	1	J01301	
41-WJ0060-B00	WIRE BARE JUMPER 6MM	1	J01302	
67-235880-1T0	SHIELD CAN - IR PRE-AMP	1		
08-2988MD-WFY	ASS'Y - SUPER WOOFER AMP BD			
10-1N4001-EB1	DIODE 1N4001 (RECTIFIER)	1	SD01	
13-TDA200-9AS	IC TDA2009A (AUDIO O/P)	1	SIC02	
13-00LM35-8NP	IC LM358N	1	SIC01	
18-CB0109-JNX	RES. C.F. 1 OHM 1/6W +/-5%	1	SR19	
18-CB0109-JNX	RES. C.F. 1 OHM 1/6W +/-5%	1	SR20	
18-CB0102-JNX	RES. C.F. 1K OHM 1/6W +/-5%	1	SR18	
18-CB0103-JNX	RES. C.F. 10K OHM 1/6W +/-5%	1	SR04	
18-CB0103-JNX	RES. C.F. 10K OHM 1/6W +/-5%	1	SR06	
18-CB0104-JNX	RES. C.F. 100K OHM 1/6W +/-5%	1	SR10	
18-CB0202-JNX	RES. C.F. 2K OHM 1/6W +/-5%	1	SR17	
18-CB0223-JNX	RES. C.F. 22K OHM 1/6W +/-5%	1	SR12	
18-CB0223-JNX	RES. C.F. 22K OHM 1/6W +/-5%	1	SR13	
18-CB0390-JNX	RES. C.F. 39 OHM 1/6W +/-5%	1	SR15	
18-CB0390-JNX	RES. C.F. 39 OHM 1/6W +/-5%	1	SR16	
18-CB0473-JNX	RES. C.F. 47K OHM 1/6W +/-5%	1	SR11	
18-CB0473-JNX	RES. C.F. 47K OHM 1/6W +/-5%	1	SR01	
18-CB0473-JNX	RES. C.F. 47K OHM 1/6W +/-5%	1	SR02	
18-CB0473-JNX	RES. C.F. 47K OHM 1/6W +/-5%	1	SR03	
18-CB0473-JNX	RES. C.F. 47K OHM 1/6W +/-5%	1	SR07	
18-CB0473-JNX	RES. C.F. 47K OHM 1/6W +/-5%	1	SR08	
25-BCB100-M11	CAP. ELEC 10 UF 16V +/-20%	1	SC03	
25-BCB100-M11	CAP. ELEC 10 UF 16V +/-20%	1	SC07	
25-BCA102-M11	CAP. ELEC 1000 UF 16V +/-20%	1	SC05	
25-BCB221-M11	CAP. ELEC 220 UF 16V +/-20%	1	SC22	
25-BCB221-M11	CAP. ELEC 220 UF 16V +/-20%	1	SC24	
25-BFB229-M11	CAP. ELEC 2.2 UF 50V +/-20%	1	SC23	
26-ABC104-ZFX	CAP. CER 0.1UF 50V +80-20% F	1	SC02	
26-ABC104-ZFX	CAP. CER 0.1UF 50V +80-20% F	1	SC01	
26-ABC223-ZFX	CAP. CER 0.022UF 50V +80-20% F	1	SC04	
26-ABC223-ZFX	CAP. CER 0.022UF 50V +80-20% F	1	SC32	
26-ABC223-ZFX	CAP. CER 0.022UF 50V +80-20% F	1	SC06	
26-ABC223-ZFX	CAP. CER 0.022UF 50V +80-20% F	1	SC08	
27-MBC104-J01	CAP. M. P.E. 0.1 UF 50V +/-5%	1	SC25	
27-MBC104-J01	CAP. M. P.E. 0.1 UF 50V +/-5%	1	SC26	
46-12210W-037	PIN BASE *3 TJC3-3A	1	SP03	FOR 46-27778H-037(F.CTL BD)
62-208320-00F	SPACER NICAM & ST PCB	3	FOR WOOFER BD	
67-H27342-2A0	HEAT SINK	1	FOR SIC02	
25-BFB478-M11	CAP. ELEC 0.47 UF 50V +/-20%	2	SC09, SC20	
25-BEA222-M11	CAP. ELEC 2200 UF 35V +/-20%	1	SC28	
18-CB0823-JNX	RES. C.F. 82K OHM 1/6W +/-5%	1	SR05	
46-11376W-037	PIN BASE *3 TJC2-3A	1	SP05	FOR 46-27776H-037 (M.BD)
46-13541W-057	PIN BASE *5 TJC3-5A	1	SP01	
18-EG0229-JH1	RES. FUS 2.2 OHM 2W +/-5%	1	SR00	
25-BCB471-M11	CAP. ELEC 470 UF 16V +/-20%	1	SC29	

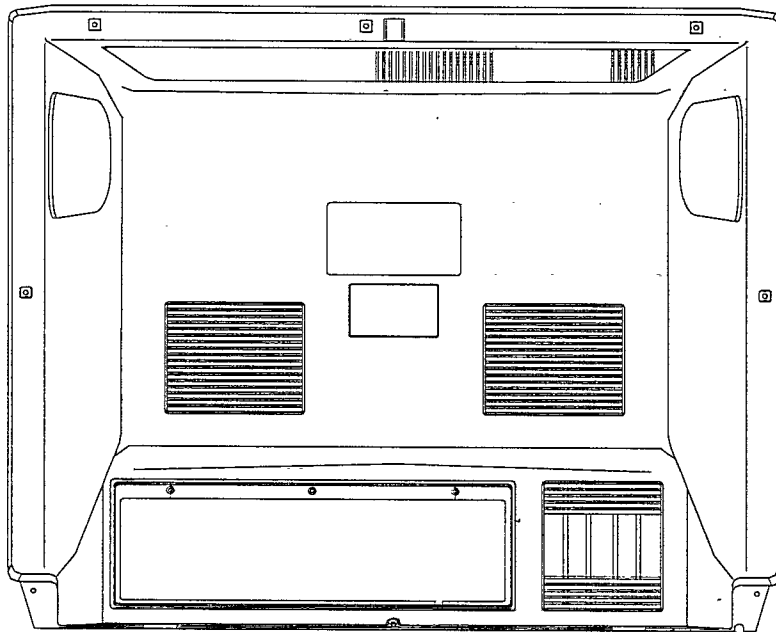
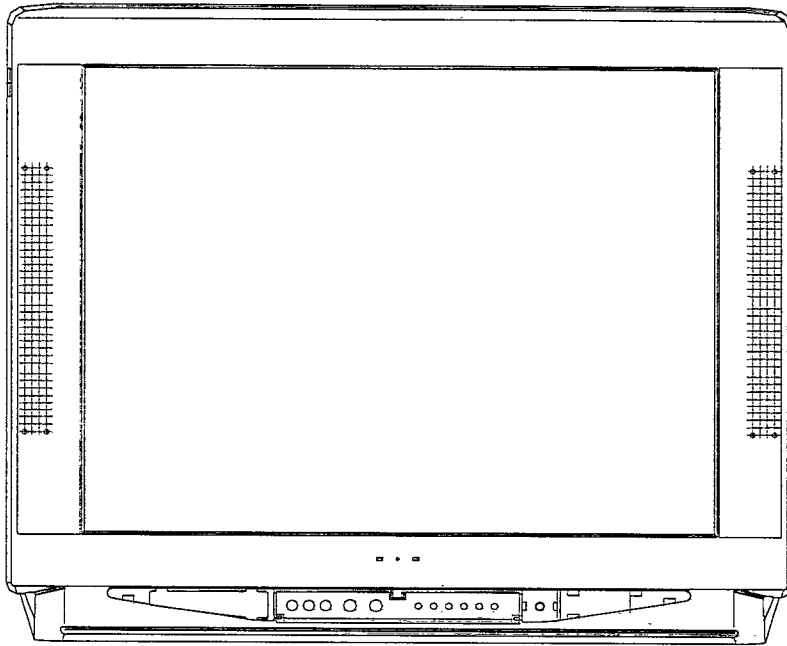
MODEL NO.: CT-M6829 Chassis type EC2988
 BOM NO.: 03-2988MD-AA10
 SYSTEM: PAL BG NTSC PLAYBACK AV IN / OUT CABLE TUNER 50P

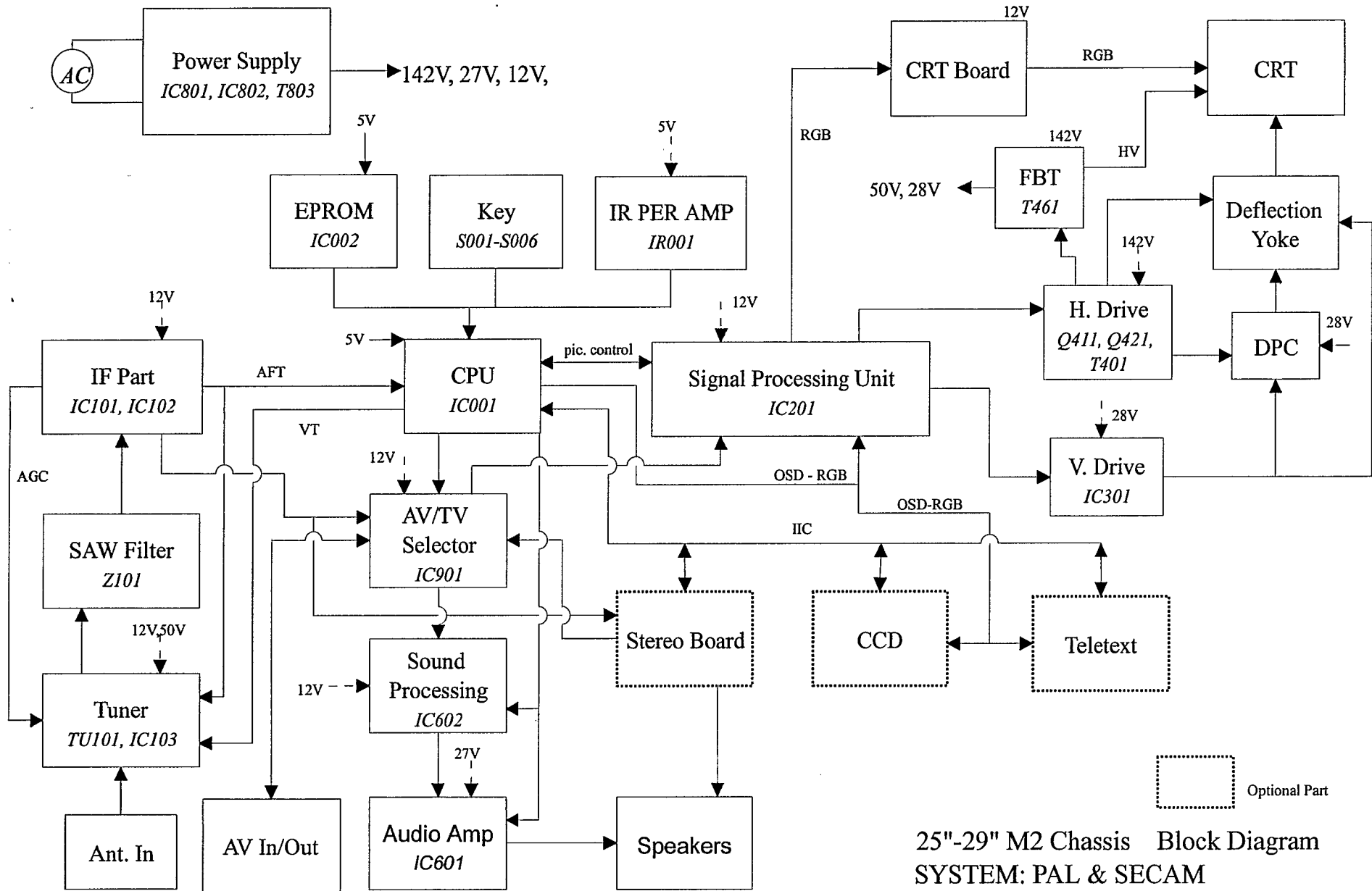
Parts	Description	Qty	Location	Comments
				FOR 27326H-027 (BAZOOKA HOLDER)
46-27325H-027	HS 2P24 200 F/W SCN2Y-SM2R YL	1	SP04	
64-P3510X-102	M/C SCREW P 3.5 X 10	1	MTG SIC02 & H.SINK	
25-BCB331-M11	CAP. ELEC 330 UF 16V +/-20%	1	SC21	
26-EBP103-ZF1	CAP. CER 0.01UF 50V +80-20% F	1	SC27	
26-ABC104-ZFX	CAP. CER 0.1UF 50V +80-20% F	2	SC30, SC31	
40-275560-0AD	P.C.B. S. WOOFER AMP BD	1		
41-WJ0150-B00	WIRE BARE JUMPER 15MM	1	SJ01	
41-WJ0060-B00	WIRE BARE JUMPER 6MM	1	SJ03	
41-WJ0075-B00	WIRE BARE JUMPER 7.5MM	1	SJ02	
18-CB0104-JNX	RES. C.F. 100K OHM 1/6W +/-5%	1	SR09	
18-CB0683-JNX	RES. C.F. 68K OHM 1/6W +/-5%	1	SR14	
08-2988MD-BZY	ASS'Y - BAZOOKA HOLDER (C.B.)			
42-246360-006	SPEAKER 11.4CM 8 OHM 15W	1	FOR WOOFER	
63-P3014X-AB4	S/T SCREW P 3 X 14 AB	4	MTG W.SPK & HOLDER	
63-P3014X-BT4	S/T SCREW P 3 X 14 BT	4	MTG HOLDER (A) & (B)	
65-A40090-06E	WASHER 4 X 9 X 0.6 MM	4	MTG W.SPK & HOLDER	
71-247820-0A0	LABEL FOR WOOFER (BLACK)	1	STICK ON SPEAKER	
62-240940-0UN	BAZOOKA HOLDER "A"	1		
62-240950-0UN	BAZOOKA HOLDER "B"	1		
			FOR 46-27325H-027 (S. WOOF. BD SP04)	
46-27326H-027	HS 2P24 360/7 F/W SM-2P YL	1	BD SP04)	
08-278000-RMY	ASS'Y - IR HANDSET (TEAC) 'A'			
11-0BC338-0B1	TRANSISTOR BC338-40	1	Q1	
15-00SFH4-150	DIODE INFRARED SFH415	1	D1	
18-CB0229-JNX	RES. C.F. 2.2 OHM 1/6W +/-5%	1	R2	
26-EBP101-JC1	CAP. CER 100 PF 50V +/-5% CH	2	C2, C3	
45-120550-201	CER RESONATOR 455KHZ	1	X1	
56-258360-0HC	LENS REMOTE HANDSET	1		
67-22223X-0E2	BATT. TERMINAL (+/-)	1		
67-25865X-0E2	BATTERY CONTACT SPRING (+)	1		
67-25866X-0E2	BATTERY CONTACT SPRING (-)	1		
74-009022-60C	POLYBAG HANDSET	1		
49-HS32A0-00XAA	RUBBER PAD 32 KEYS	1		
13-9028F0-22P	IC TC9028F-022 (IR TRANS.)	1	IC1	
18-CB0682-JNX	RES. C.F. 6.8K OHM 1/6W +/-5%	1	R1	
25-297410-M11	CAP. ELEC 47UF 10V +/-20%	1	C4	
40-300180-0AA	P.C.B. HANDSET BD ("A")	1		
41-AJ0060-BEE	WIRE BARE JUMPER 6MM	1	J1	
58-HS32A0-0UIAA	INLAY IR TRANSMITTER BD (TXT)	1		
55-HS32AT-0HAAH	CASE UPPER - REMOTE HANDSET	1		
55-HS32AB-0HAAC	CASE LOWER - REMOTE HANDSET	1		
55-HS32AD-0HAAC	DOOR BATT. - REMOTE HANDSET	1		
08-275210-FCY	ASS'Y - FRONT CABINET			
54-113971-0UA	PVC TUBE #6 L=270MM	2	FOR SPK HOUSING	
54-205140-000	SPACER CRT MOUNTING T=2MM	4	MTG. CRT	
54-268340-000	SPONGE CUSHION 15 X 45 X 3MM	8	STICK ON SPK. HOUSING	
62-200980-0HA	MOUNTING POST	6	STICK ON BOTH SIDE CAB.	
62-200990-0HA	CABINET SIDE CATCHER	8		
62-250270-0HA	MOUNTING POST 29'	3	STICK ON TOP CAB.	
62-256330-0HA	MAIN BD TRACK 'A'	1	MTG. ON F.CAB.	
62-256340-0HA	MAIN BD TRACK 'B'	1	MTG. ON F.CAB.	
62-256360-0HA	POWER BD TRACK 'A'	1		
62-256370-0HA	POWER BD TRACK 'B'	1		
62-256380-0HA	MAIN BD HOLDER	3	MTG. ON F.CAB.	
65-A60180-20E	EXT. TOOTH WASHTER 6X18X2	4	MTG. CRT & F.CAB.	
67-216790-010	SPRING 6 X 50 X 0.6MM	2		
			POWER KNOB TO FRONT	
67-250450-0E0	SPRING KNOB	1	PANEL 'LT'	
02-271380-00X	ASS'Y-CRT GND WIRE & HOUS.(29)	1	FOR CRT GROUNDING	
48-259140-00X	SW. DOOR LOCK PR4	1		
54-114000-00X	FELT TAPE 150X19MM	4	STICK ON SPK HOUSING	
				STICK ON F.CAB (FOOTING)
59-130460-00X	RUBBER PAD 25MM X 7MM	4	STICK ON SPK. HOUSING	
62-10654X-00F	UNI - TIE 2.5X95MM	20		
63-B2608X-AB2	S/T SCREW B 2.6 X 8 AB	3	MTG PUSH BUTTON & F.CAB	
63-B3010X-BT4	S/T SCREW B 3 X 10 BT	3	MTG M.BD HOLDER	
			MTG SPK. BKT. & SPK.	
63-B3010X-BT4	S/T SCREW B 3 X 10 BT	8	HOUSING	

MODEL NO.: CT-M6829 Chassis type EC2988
BOM NO.: 03-2988MD-AA10
SYSTEM: PAL BG NTSC PLAYBACK AV IN / OUT CABLE TUNER 50P

Parts	Description	Qty	Location	Comments
63-B3010X-BT4	S/T SCREW B 3 X 10 BT	2	MTG P.BD TRACK A	
63-B3010X-BT4	S/T SCREW B 3 X 10 BT	2	MTG P.BD TRACK B	
63-B3010X-BT4	S/T SCREW B 3 X 10 BT	3	MTG M.BD HOLDER TO F.CAB.	
63-W3012X-AB4	S/T SCREW W 3 X 12 AB	8	MTG SPK. & SPK. BRACKET	
63-B6025X-AB4	S/T SCREW B 6 X 25 AB	4	MTG CRT & F.CAB.	
36-214681-001	DEGAUSSING COIL 3300 +/-10MM	1		
62-271770-0HN	FRONT SPEAKER HOUSING	2	MTG ON FRONT CAB.	
62-271780-0HN	BRACKET FRONT SPEAKER	2	MTG ON SPK HOUSING	
67-274400-0A0	LOGO ALUMINUM (TEAC)	1		
89-263000-003	DOUBLE SIDE TAPE 55.8 X429.3MM	2	STICK SPK GRILLE TO F.CAB.	
62-250170-0HD	LEFT HOLDER	1		
62-250180-0HD	RIGHT HOLDER	1		
62-25021P-0HAAB	HOLDER COVER (CT-M6829ST)	2		
42-263520-A08	SPEAKER 3 X 5 8 OHM 8W	2		
71-307530-0AA	LABEL FOR LENS	1		
44-290FLS-SS2	CRT 74CM A68QBT892X55 (S/H-AU)	1		
46-27250H-027	HS 2P24 450/5 F/W TJC3-2Y	1	P602H	FOR 46-12866W-027 (M.BD) FOR 46-12866W-027 (M.BD)
46-27264H-027	HS 2P24 700/7 F/W TJC3-2Y	1	P603H	(M.BD)
55-2988FC-0CAAAA	FRONT CABINET	1		
55-2988FD-0HHAA	DOOR	1		
55-2988PL-0HCAA	LEFT FRONT PANEL	1		
55-2988PR-0HCAA	RIGHT FRONT PANEL	1		
56-2968FB-0HAAA	PUSH BUTTON (2988/89)	1		
56-2988PK-0HCAA	POWER KNOB	1	MTG ON PANEL	
58-2988FI-2UIAA	INLAY FRONT CONTROL (WOOFER)	1		
56-2988SG-0HNBH	SPEAKER GRILLE (FRONT)	2		
62-216340-0UA	HOLDER POWER CORD	1		
62-260520-0HG	CRT SPACER 'A'	2		
62-260530-0HG	CRT SPACER 'B'	2		
63-B4020X-AB3	S/T SCREW B 4 X 20 AB (BLACK)	12	MTG CRT SPACER & F.CAB.	
63-B4020X-AB2	S/T SCREW B 4 X 20 AB	4	MTG SPK HOUSING & F.CAB.	
41-DD0300-0CC	WIRE UL 1015 #20 300MM BLACK	1	FOR CRT GND TO TUNER	
08-275220-RCY	ASS'Y - REAR CABINET (2988MD)			
62-228400-0HG	HOLDER - POWER CABLE	1		
54-114000-00X	FELT TAPE 150X19MM	12	STICK ON R.CAB.	
59-130460-00X	RUBBER PAD 25MM X 7MM	2	STICK ON R.CAB.	
59-130460-00X	RUBBER PAD 25MM X 7MM	2	STICK ON INNER R.CAB.	
63-B4020X-AB3	S/T SCREW B 4 X 20 AB (BLACK)	8	MTG R.CAB. & F.CAB.	
63-P3512X-0B4	S/T SCREW P 3.5 X 12 B	4	MTG SPK. COVER R & L	
64-B3012X-103	M/C SCREW B 3 X 12	3	MTG TERM. BD	
67-24180P-0E0BH	SPEAKER GRILLE	2	MTG ON R. CAB	
55-2968RC-0ANAA	REAR CABINET (94V-0 100%)	1		
56-2588SR-0UNAA	REAR SPEAKER COVER "R"	1		
56-2588SL-0UNAA	REAR SPEAKER COVER "L"	1		
58-2988MP-0UIAA	PLATE MODEL NO.	1		
58-2968RI-2UIAA	INLAY TERM. BD(RCA-6)(2988/89)	1		
08-275280-PAY	ASS'Y - PACKING (2988MD)			
74-022032-6WE	POLYBAG 22 X 32CM	1	FOR OPERATION MANUAL	
	POLYBAG W/SUFFOCATION			
74-112112-6YC	WARNING	1		
49-268110-000	BATTERY AA SIZE CARBON ZINC	2		
70-281020-00AAA	TOTAL CARE SHEET (TEAC)	1		
	LABEL SERVICE STATION			
71-276630-0A0AC	(M6829ST)	1		
71-293810-0A0AB	LABEL BAR CODE (CT-M6829ST)	2		
75-2988UL-CC0	POLYFOAM 'UL'	1		
75-2988UR-CC0	POLYFOAM 'UR'	1		
75-2988LL-CC0	POLYFOAM 'LL'	1		
75-2988LR-CC0	POLYFOAM 'LR'	1		
76-002988-02EAA	CARTON BOX	1		
70-278170-00AAF	EASY TUNE CARD	1		
71-278180-0A0	LABEL SERIAL NO. (TEAC)	3		
71-290670-0A0AX	LABEL P.O. NO.	2		
71-310800-0A0AI	LABEL RED BALL	3		
72-2988DM-E10AA	OPERATION MANUAL	1		
71-315950-0A0AA	LABEL SCREEN (NON-STICK)	1		

2988 Cabinets

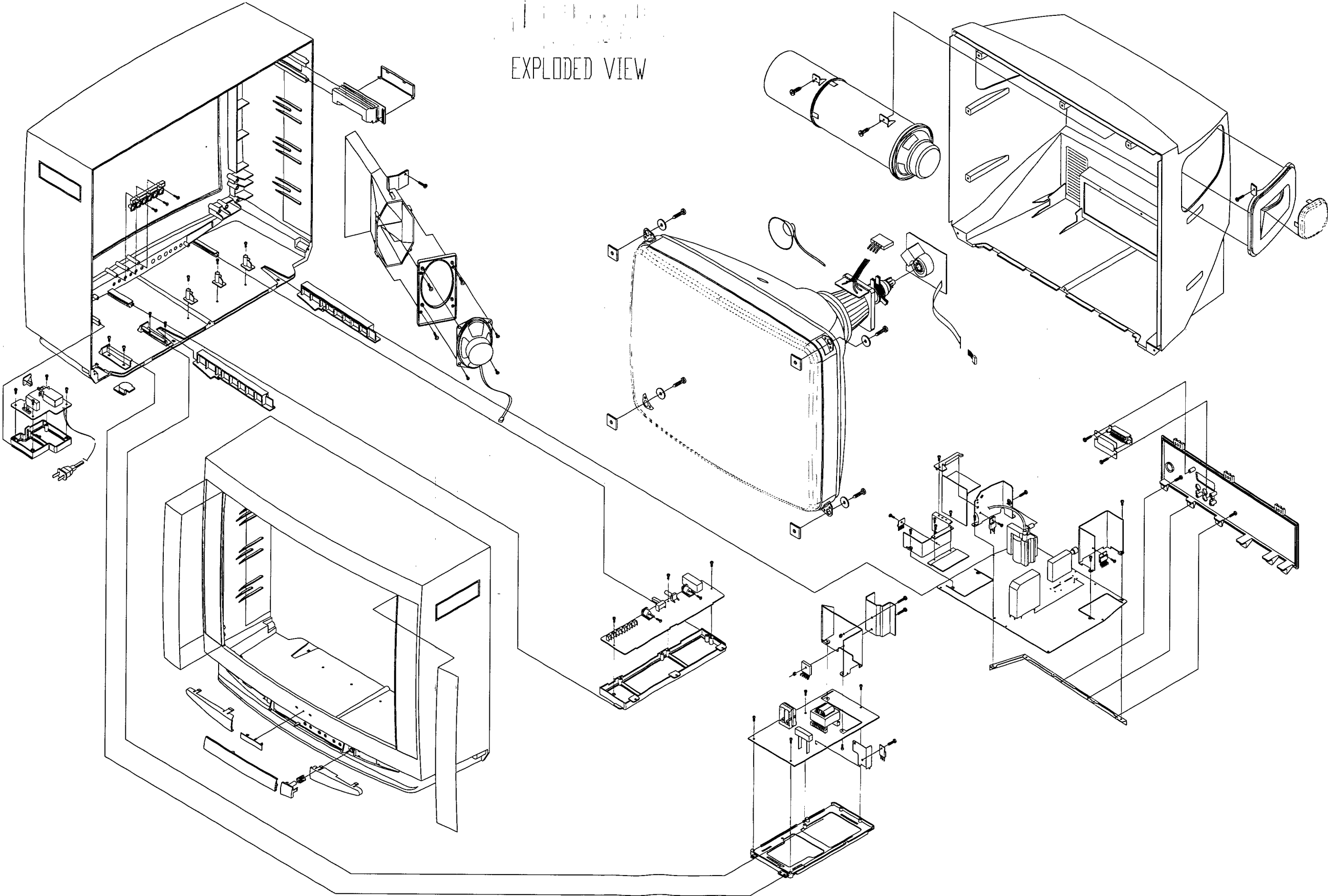


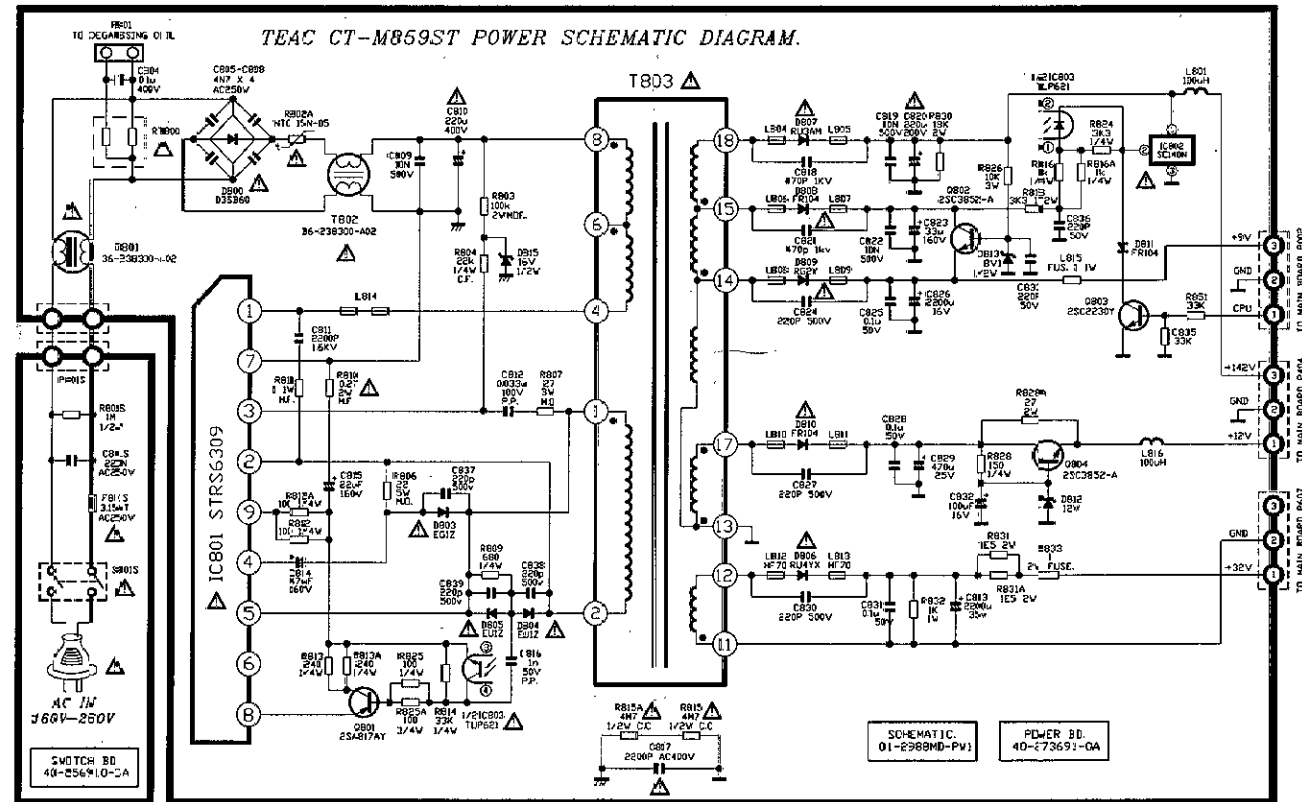
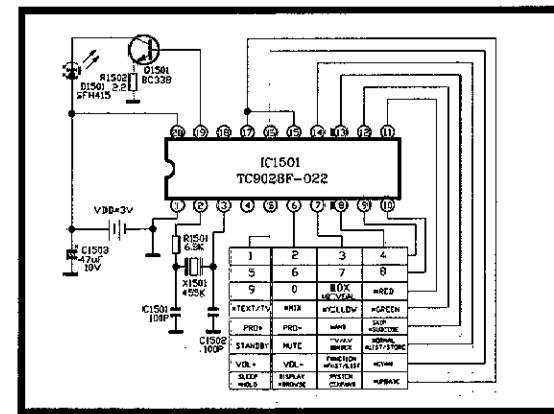
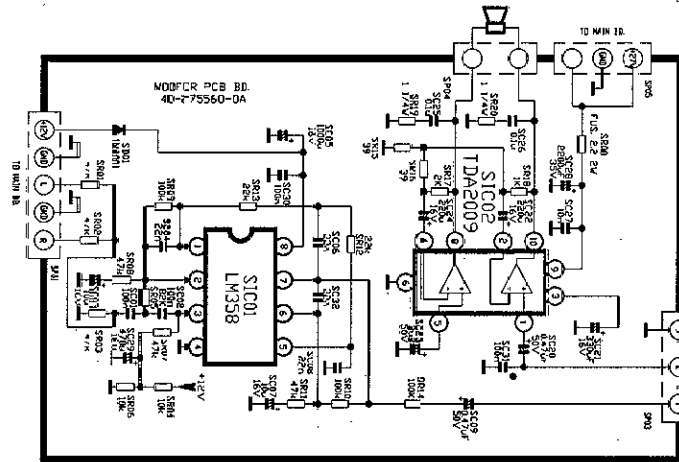


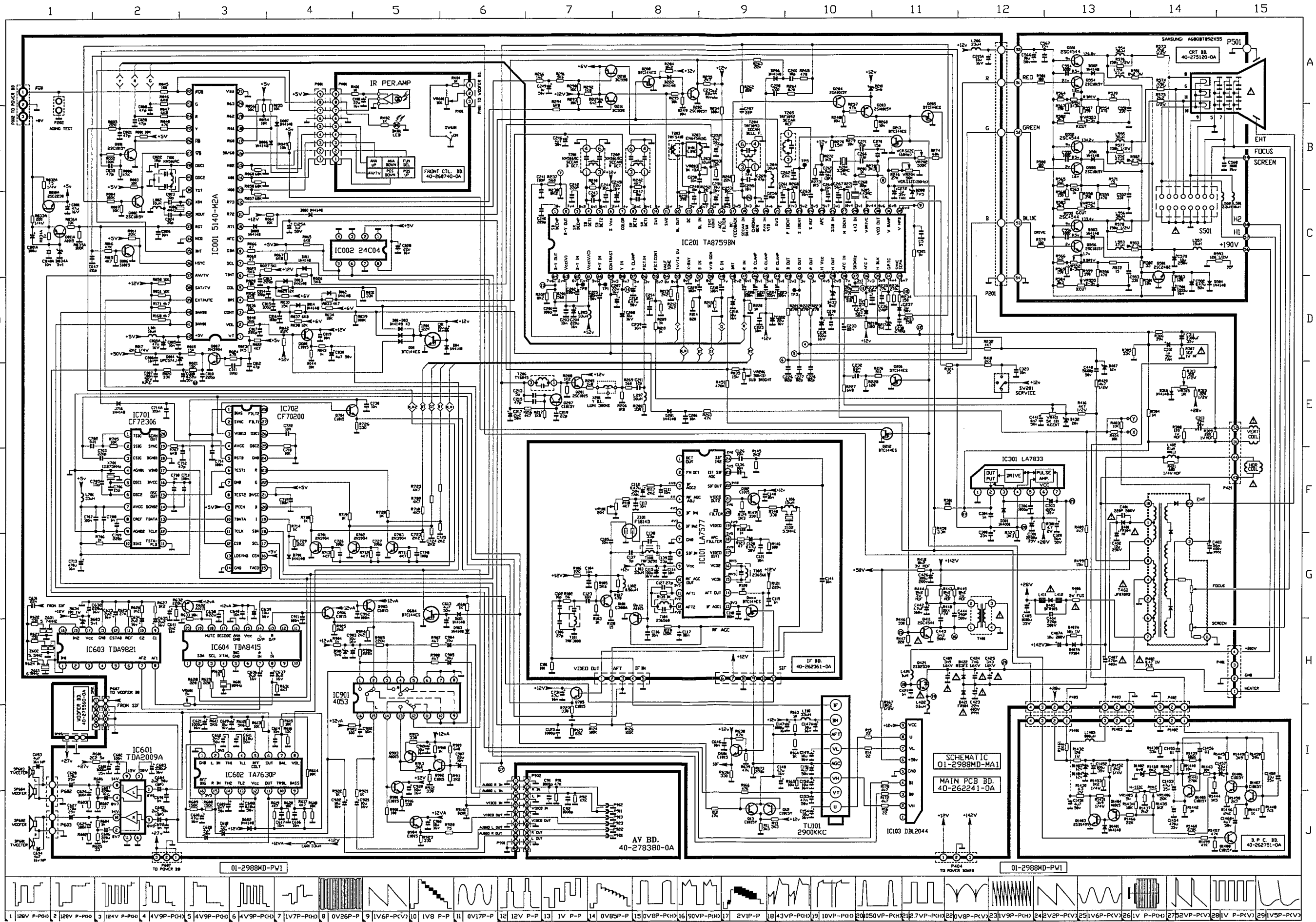
Optional Part

25"-29" M2 Chassis Block Diagram
 SYSTEM: PAL & SECAM
 VER1.0 03-01-1998

EXPLODED VIEW







REMARKS:

TDS A68JQP95X05		SG A680BT892X55	
C487	200K 400V		400K 400V
L40C	20uH		20uH
C42E	500PF 25V		
R40E	33 2W		8.47 1W
L20K	20uH		20uH
R16B			802 1/2W
R27A	270K 1/2W		68K 1/2W
C42A	643 300V		746 300V
R40C			842 1/2W

COMPANY: TCL ELECTRONICS (HK) LTD.

REVISED NO	REVISED DATE	REVISED BY	REVISED CONTENT
01-284750-100	40-262241-0A		IF BOARD
01-284750-100	40-273120-0A		CRT BOARD
01-284750-100	40-262751-0A		DPC BOARD
01-284750-100	40-264740-0A		FRONT CTL. BR.
01-284750-100	40-265870-0A		AVISCARTY BR.
01-284770-100	40-256190-0A		POWER SW. BR.
01-284770-100	40-273491-0A		POWER BR.
01-284760-100	40-273860-0A		WOOFER BOARD